

# Technical Characteristics

WORKING TEMPERATURE: (60° C MAXIMUM)

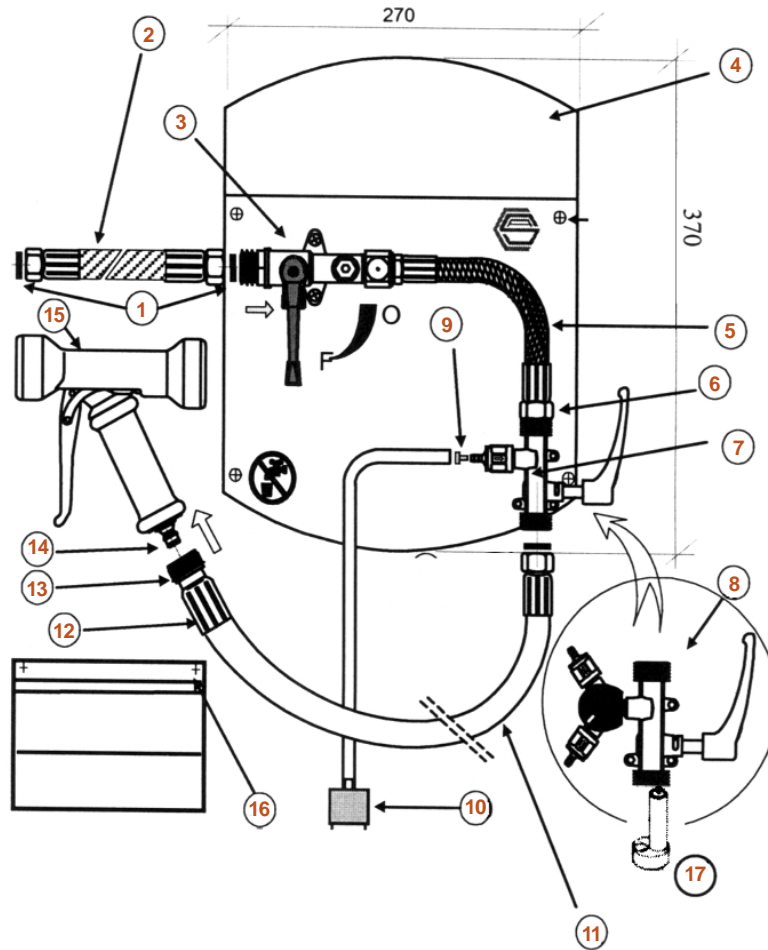
WORKING PRESSION: (0.5 UP TO 5 Bar)

## DIMENSIONS WITHOUT TUBES

HEIGHT	370 mm
WIDTH	270 mm
DEPTH	70 mm

## WEIGHT

KLYN SPRAYNG SYSTEM ALONE	1.500 kg
KLYN SPRAYNG SYSTEM FULL EQUIPPED	7.900 kg



N.	DESCRIPTION	COD.
1-2	FLEXIBLE STAINLESS STELL TUBE (1 m) WITH GASKET	LB00297022
3	WATER CONTROL VALVE	LB00297032
4	SUPPORT TUBE HOSE BRACKET (PVC)	
5	FLEXIBLE STAINLESS STELL TUBE (100 °C 18 Bar)	
6-7	VENTURI 1 PRODUCT (NICKEL-PLATED BRASS)	LB00297001
8	VENTURI 2 PRODUCTS (NICKEL-PLATED BRASS)	LB00297002
9	METERING TIP	LB00297038
10	PICKUP TUBE (1 m) WITH FOOT FILTER	LB00297037
11-12-13	HOSE WASHING TUBE WITH QUICK CONNECT (FEMALE)	10 m 15 m 20 m
14-15	SHOCK-PROOF SPRAYING GUN WITH QUICK CONNECT (MALE)	LB00297031
16	STAINLESS STEEL BOTTLE HOLDER	LB00297041
17	PLASTIC INJECTOR	LB00297003

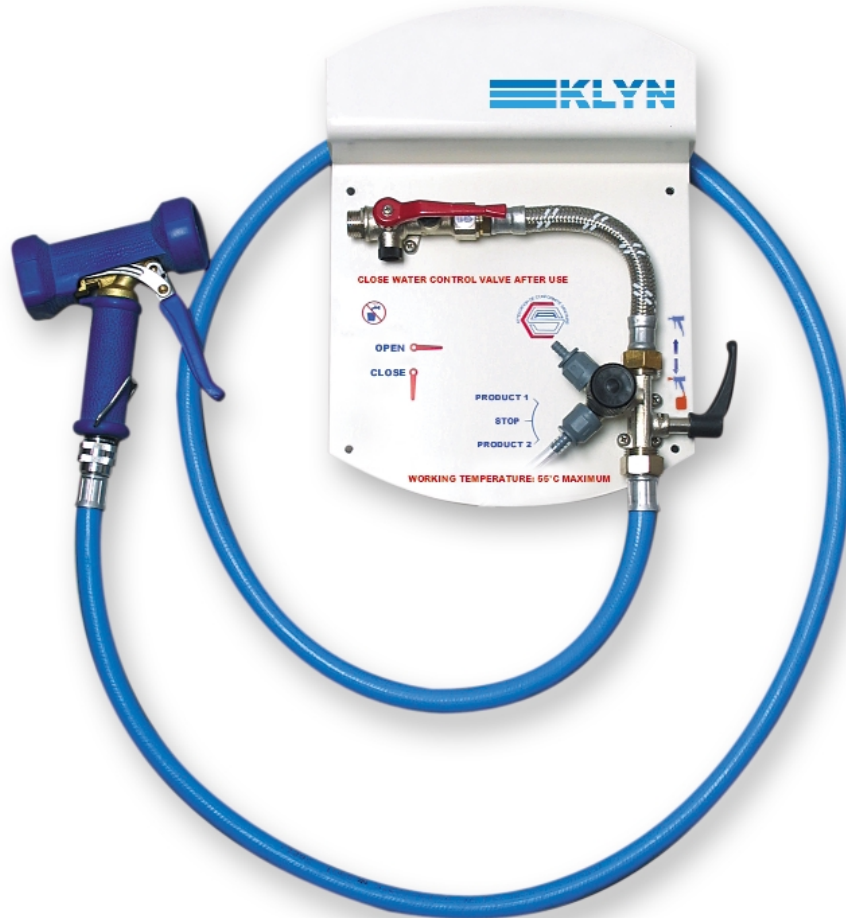


### FOR YOUR SAFETY

Our products are approved and received the Certificate of Health Conformity from:  
**La Mairie de Paris** - Environment Protection Institute - Water Research and Control Center  
Sanitary Protection Research and Engineering Department (SRIPS)

# KLYN Spray System

Automatically  
dilutes and  
dispenses  
concentrated  
cleaning  
products



Perfect anywhere clean/rinse/sanitize operations are required:

- meat rooms • delicatessen • seafood stores • bakeries
- any food preparation area including full service kitchens,
- meat processing plants,
- vegetable processing and packing areas,
- truck washing, loading docks, auto dealers,
- fitness facilities (locker rooms in schools, health clubs)...

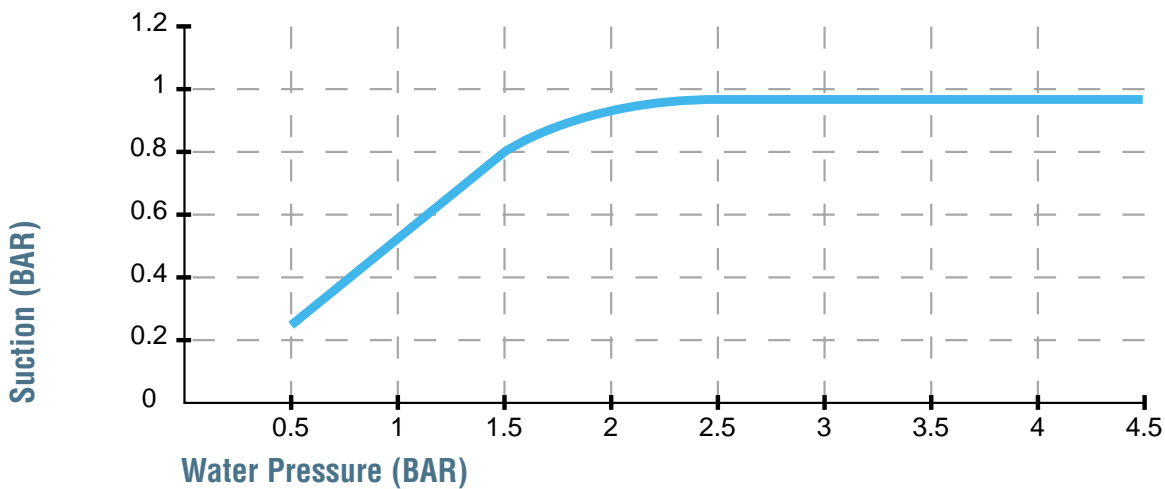
■ Models for dispensing one or two products are available

KLYN "1 product" for clean/rinse operations

KLYN "2 products" for clean/rinse/sanitize operations

## Great performance

- strong suction capacity even at low water pressure
- low sensitivity to water pressure variations

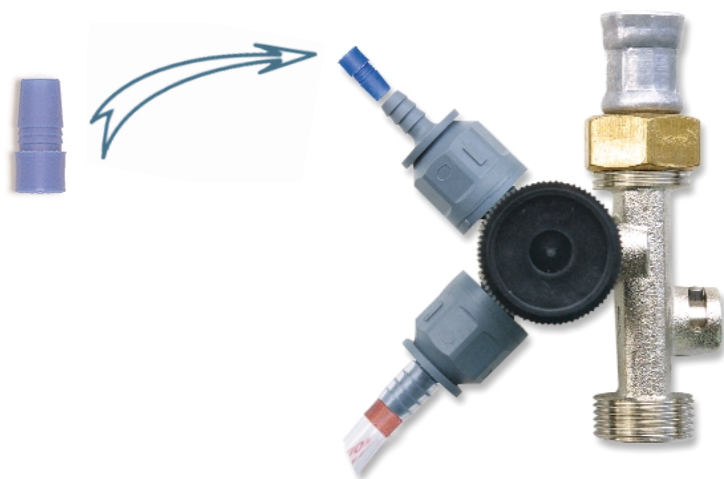


This curve is obtained with working conditions closest to those usually met.

## Simple and reliable

- Quick and easy to install to tap water outlets
- No need for electrical supply or compressed air
- Adjustment of dilution ratios with colored metering tips:  
Easy to select  
Easy to install

COLOR	CONCENTRATION	ML/L
PINK	0,50 %	5
PURPLE	0,80 %	8
TURQUOISE	1,50 %	15,2
YELLOW	1,80 %	18,3
DARK BROWN	2,50 %	25,6
ORANGE	2,70 %	27,7
GREEN	3,20 %	33
TAN (MEDIUM BROWN)	4,90 %	51,5
BLUE	5,50 %	58,2
WHITE	6,80 %	72,9
RED	8,60 %	94
VERY LIGHT BROWN	10,50 %	117,3
BLACK	10,80 %	121
GREY	10,90 %	122,3
No tips	11%	123,6



Note:

Mixing ratios should be used for reference only to enable you to define the metering tips according to the desired concentration.

## Great Flexibility



■ Transform KLYN "1 PRODUCT" into KLYN "2 PRODUCTS" In less than 5 minutes

## Minimum Maintenance



■ Replaceable plastic injector. In a few seconds no more problems with

- wear
- scaling
- dirt

## Safety Guarantee

Disconnecter\* prevents any possible water pollution through chemical backflow

Approved by DVGW (Deutsche Vereinigung des Gas- und Wasserfaches e.V.)

\*optional

