

Water meters

The meters which we offer have high precision and sensitivity according to CEE standard requirements. Their plastic and metallic parts, in particular those in contact with water, comply with current regulations and are subject to extensive checks and controls.



Threaded connections

STANDARD MODELS		
Series CB	CB4	CB1
	(4 pulse/l)	(1 pulse/l)
CONNECTIONS		
	Inch.	mm.
	1/2	13
	3/4	20
	1	25
	1 1/4	30
	1 1/2	40
	2	40

Single jet water meter, wet dial, roller reading for cold water up to 50° C.

STANDARD MODELS		
Serie CN	CN4	CN1
	(4 pulse/l)	(1 pulse/l)
CONNECTIONS		
	Inch.	mm.
	1/2	13
	3/4	20
	1	25
	1 1/4	30
	1 1/2	40
	2	40

Single jet water meter, wet dial, roller reading for cold water up to 50° C. For mounting solenoid dosing pump.

Series RBF		
CONNECTIONS		
	Inch.	mm.
	1/2	13
	3/4	20
	1	25
	1 1/4	30
	1 1/2	40
	2	40

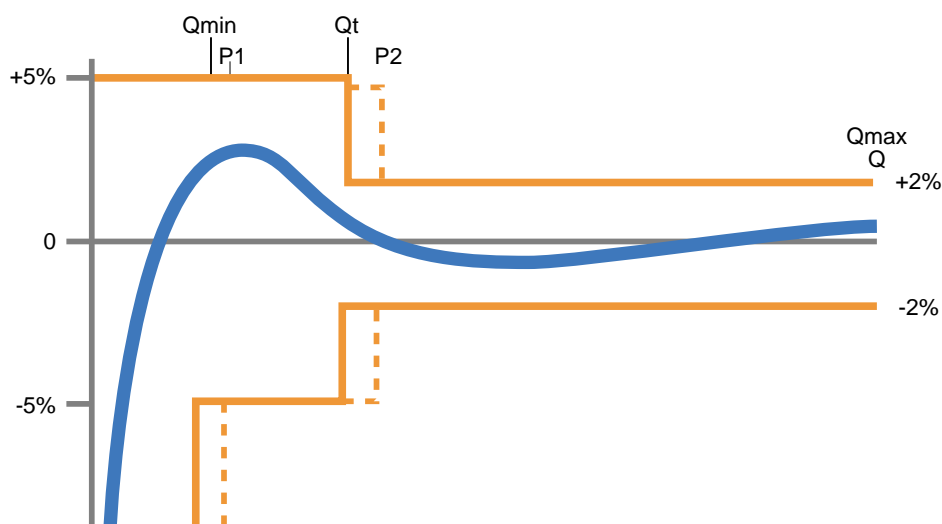
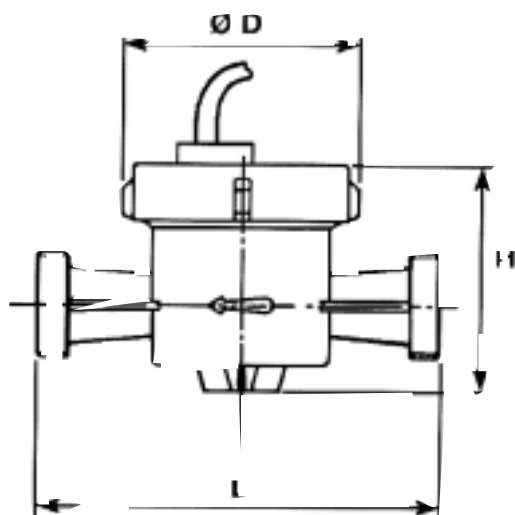
Single jet water meter, wet dial, roller reading for cold water up to 50° C. Without pulse sender.

STANDARD MODELS		
Series HB	HB4	HB1
	(4 pulse/l)	(1 pulse/l)
CONNECTIONS		
	Inch.	mm.
	1/2	13
	3/4	20
	1	25
	1 1/4	30
	1 1/2	40
	2	40

Single jet water meter, wet dial, roller reading for hot water up to 90° C.

Hidraulic data

Size	mm	13	20	25	30	40	50
	Inch	1/2	3/4	1	1 1/4	1 1/2	2
Max flow (short period)	m ³ /h	3	5	7	10	20	30
Nominal flow	m ³ /h	1,5	2,5	3,5	5	10	15
Min flow (accuracy ±5%)	L/h	30	50	70	100	200	450
Transition flow (accuracy ±2%)	L/h	120	200	280	400	800	3000



Dimensions

Size	mm	13	20	25	30	40	50
	Inch	1/2	3/4	1	1 1/4	1 1/2	2
Length without adapters	L (mm)	110	130	160	160	200	300
Length with thread	(mm)	190	228	260	280	340	472
Width	D mm	80	80	100	100	110	152
Height	H mm	90	90	120	120	130	200
Maximum reading	m ³	10.000	10.000	100.000	100.000	100.000	100.000