

# Peristaltic metering device for detergent and rinsing aid

**In a polypropylene container**  
Extremely shockproof and resistant to chemical aggression

**Plugs for protecting settings**  
To avoid possible undesired tampering

**Ease of maintenance**  
It only takes a few seconds to replace the tube, if required, and there is no need to start the pump.

**Extra-strong membrane tube**  
Available in Santoprene and in silicone

**Connections with ring-nuts**  
There is no need to use tube clamps when securing the delivery and intake pipes

**Ease of Installation**  
Thanks to the innovative electronics, our pump does not need to be connected to "earth"

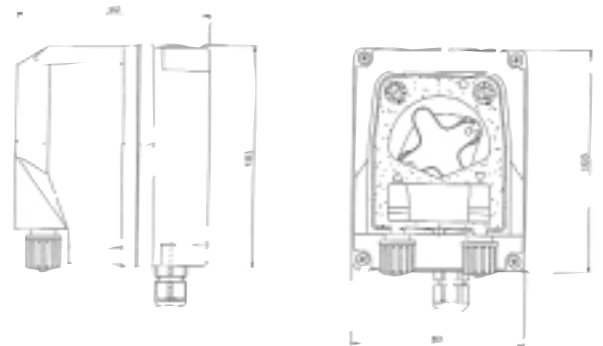
**Ease of repair**  
The pump can be replaced without having to disconnect the electricity wire

**IP65 plastic container**  
Also protects the circuit from any jets of water.

**Easily mounted**  
using the metal rod supplied with the pump for this purpose or direct wall-mounting

Our metering pumps comply with the provisions contained in the following European standards:

- 73/23EEC of 19/2/73
- 89/336EEC of 3/5/89
- EN60335-1



## Accessories Installation kit



TYPE PA	•	•	•	•	•	•
TYPE PE • PR • PS		•	•	•		•
TYPE PR1 • PM			•	•	•	•

## Detergent metering device



### Type PA

Metering pump driven by a conductivity-measuring probe. Power supply: 230 VAC (24 VAC on request). Consumption:: 3.5 W. The probe requires a hole with a diameter of 22.5 mm (7/8").

MOD.	BAR	L/H
PA-6 Santoprene tube	0.1	6
PA-9 Santoprene tube	0.1	9



### Type PE

Non-adjustable fixed flow-rate pump, power supply 230 VAC (24 VAC on request). Consumption:: 3.5 W.

MOD.	BAR	L/H
PE-1.5 Santoprene tube	0.1	1.5
PE-3 Santoprene tube	0.1	3.0



### Type PR

Variable flow-rate metering pump with speed control. Power supply: 230 VAC (24 VAC on request). Consumption:: 3.5 W.

MOD.	BAR	L/H
PR-4 Santoprene tube	0.1	da 0.6 a 4
PR-7 Santoprene tube	0.1	da 1 a 7



### Type PS

Fixed flow-rate metering pump with two timers fed through the loading and rinsing solenoid valves operating at 230 VAC (24 VAC on request), consumption:: 3.5 W., enabling by the solenoid valves activates operation of the pump for a variable period of time:

Loading T1                      from 5 to 220 seconds  
Rinsing T2                      from 1 to 20 seconds

MOD.	BAR	L/H
PS-3 Santoprene tube	0.1	3.0
PS-10 Santoprene tube	0.1	10

Not applicable to pulled-basket dishwashers

## Metering of rinsing aid



### Type PR

Variable flow-rate metering pump with speed control. Power supply: 230 VAC (24 VAC on request). Consumption:: 3.5 W.

MOD.	BAR	L/H
PR-1 silicone tube	3	da 0.2 a 1



### Type PM

Fixed flow-rate metering pump with timer supplied through the washing pump operating at a voltage of 230 VAC (24 VAC on request), consumption: 3.5 W; enabling causes operation of the pump for a variable period of time:  
T1 from 1 to 20 seconds.

MOD.	BAR	L/H
PM-0.4 silicone tube	3	0.4