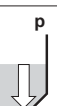




Pressure - Process pressure/Hydrostatic



Overview	148
VEGABAR 51, 52, 53, 54	152
VEGABAR 61, 63, 64, 65, 66, 67	160
VEGAWELL 51, 72	172
VEGABAR 74, 75	176
Accessory	180
Dimensions	183

Measuring cell technology

Ceramic-capacitive measuring cell
-1...72 bar

- excellent long-term stability
- high corrosion resistance
- completely front-flush
- ø 28 mm



Ceramic-capacitive measuring cell
-1...72 bar

- abrasion resistant
- small process fittings
- very high overload resistance
- ø 17.5 mm



METEC® measuring cell
-1...25 bar

- product temperature up to 200°C
- completely vacuum resistant
- good thermo-shock reaction



Piezoresistive measuring cell
-1...16 bar

- completely welded stainless steel diaphragm 316L
- product temperature up to 150°C
- vacuum resistant



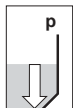
Thin film strain gauge measuring cell
25...600 bar

- dry measuring cell
- small process fittings
- high long-term stability



Isolating system
-1...400 bar

- product temperature up to 400°C
- high resistance



VEGABAR 50

Due to their version and measuring accuracy, VEGABAR series 50 pressure transmitters are suitable for all standard applications. The indicating and adjustment module PLICSCOM enables an easy and quick local adjustment.

Overview

VEGABAR 51



VEGABAR 52



Measuring cell:	Isolating system	CERTEC®
Measuring range:	-1...250 bar	-1...72 bar
Deviation in characteristics:	0.2 %	0.2 %
Permanent product temperature:	up to 400°C	-40...120°C
Standard signal:	4...20 mA	4...20 mA

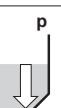
VEGABAR 53



VEGABAR 54



Measuring cell:	Piezo/Thin film strain gauge	CERTEC®
Measuring range:	-1...600 bar	-1...72 bar
Deviation in characteristics:	0.2 %	0.2 %
Permanent product temperature:	up to 105°C	upt to 120°C
Standard signal:	4...20 mA	4...20 mA



VEGABAR 60

VEGABAR series 60 pressure transmitters are designed for pressure as well as level applications. Their universal use is characterised by an application-optimised, universal housing concept, medium-resistant sensors and high accuracy. The parameter adjustment of the instruments can be carried out locally via the indicating and adjustment module PLICSCOM, the external indicating module VEGADIS 61 or the PC.



Overview

VEGABAR 61



VEGABAR 63



VEGABAR 64



Measuring cell: Isolating system
 Measuring range: -1...400 bar
 Deviation in characteristics: 0.1 %
 Permanent product temperature: up to 400°C
 Standard signal: 4...20 mA/HART

Piezo/Thin film strain gauge CERTEC®
 -1...600 bar -1...72 bar
 0.1 % 0.075 %
 up to 150°C up to 150°C
 4...20 mA/HART 4...20 mA/HART

VEGABAR 65



VEGABAR 66

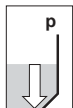


VEGABAR 67



Measuring cell: METEC®
 Measuring range: -1...25 bar
 Deviation in characteristics: 0.075 %
 Permanent product temperature: -12...200°C
 Standard signal: 4...20 mA/HART

CERTEC® METEC®
 0...200 mH₂O 0...200 mH₂O
 0.1 % 0.1 %
 -40...100°C -12...100°C
 4...20 mA/HART 4...20 mA/HART



VEGABAR 70

VEGABAR 74 and VEGABAR 75 transmitters are suitable for arduous and/or wet ambient conditions. Their stainless steel housing and the compact design enable their mounting in virtually any installation location. The high protection IP 68 (IP 69K) allows permanent immersion and use of steam blasters.

Overview

VEGABAR 74



VEGABAR 75



Measuring cell:	CERTEC®	METEC®
Measuring range:	-1...72 bar	-1...25 bar
Deviation in characteristics:	0.075 %	0.075 %
Permanent product temperature:	-40...100°C	-12...100°C (200°C with cooling element)
Standard signal:	4...20 mA/HART	4...20 mA/HART

VEGAWELL

VEGAWELL 51 and 72 suspension pressure transmitters are designed for hydrostatic measurement of gauges in waters and levels in vessels. A housing of stainless steel or PVDF as well as various cable versions ensure their manifold use.

Overview

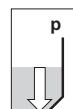
VEGAWELL 51



VEGAWELL 72



Measuring cell:	CERTEC® (17.5 mm)	CERTEC® (28 mm)
Measuring range:	0...200 mH ₂ O	0...400 mH ₂ O
Deviation in characteristics:	0.2 %	0.25 % (0.1 %)
Permanent product temperature:	-40...80°C	-40...80°C
Standard signal:	4...20 mA	4...20 mA
Optional:	4...20 mA/HART + PT 100	4...20 mA/HART

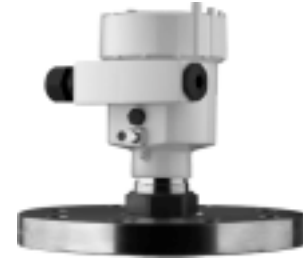


VEGABAR 51

Pressure transmitter with isolating diaphragm

Suitable for pressure measurement of highly aggressive or hot products

- application-specific process fittings and materials possible
- dry adjustment and position correction via Plicscom
- deviation in characteristics 0.2%



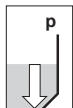
Approval

- XX** without
- XM** Ship approval
- CX** ATEX II 1G, 1/2G, 2G EEx ia IIC T6
- CM** ATEX II 1G, 1/2G, 2G EEx ia IIC T6 + Ship approval
- GX** ATEX II 1/2D, 2D IP6X T
- UX** FM Cl.I, Div2 (NI)+Cl.II, III, Div1 (DIP)
- UF** FM Cl.I-III, DIV1 (IS)

Process fitting / Material

- FR** Flange DN25PN40 Form D, DIN2501 / 316L
- FB** Flange DN40PN40 Form D, DIN2501/316L
- FC** Flange DN50PN40 Form D, DIN2501 / 316L
- EV** Flange DN50PN40 Form B2, EN 1092-1/316L
- F1** Flange 1" 150lb RF, ANSI B16.5 / 316L
- LA** Hyg.fitting w.compression nut F40 PN40/316L
- RT** Bolting DN25PN40, DIN11851 / 316L
- RQ** Bolting DN32PN40, DIN11851 / 316L
- RW** Bolting DN50PN25, DIN11851 / 316L
- ZC** Cell DN50PN16/100 / 316L

Continuations see next page



Isolating liquid / Temperature

- A** Silicone oil KN2.2 / -40...150°C (Pabs <1bar-40...150°C)
- C** Silicone oil KN2.2+cool / -40..200°C(Pabs <1bar-40..150°C)
- G** HT oil KN3.2+cool. / -10...300°C(Pabs<1bar-10..200°C)
- H** HT oil KN3.2+capil.1m / -10...400°C(Pabs<1bar-10...200°C)
- I** Halocarbon oil KN21 / -40...150°C (Pabs<1bar -40...80°C)
- J** Silicone-free liquid KN70 / -40...70°C(no vacuum)
- M** Med.white oil KN62(FDA)/ -15..150°C(Pabs <1bar -15..150°C)
- R** Med.white oil+cool.KN62 / -15..200°C(Pabs<1bar-15..150°C)

Material diaphragm

- 1** 316L
- 2** Hastelloy C276
- 5** Tantalum ¹⁾
- 7** PTFE ²⁾

Pressure / Meas. range

- C** rel. / 0...0.4 bar (0...40 kPa)
- D** rel. / 0...1 bar (0...100 kPa)
- E** rel. / 0...2.5 bar (0...250 kPa)
- F** rel. / 0...5 bar (0...500 kPa)
- G** rel. / 0...10 bar (0...1000 kPa)
- T** rel. / 0...25 bar (0...2500 kPa)
- N** rel. / 0...60 bar (0...6000 kPa)
- P** rel. / -1...0 bar (-100...0 kPa)
- Q** rel. / -1...1.5 bar (-100...150 kPa)
- R** rel. / -1...5 bar (-100...500 kPa)
- S** rel. / -1...10 bar (-100...1000 kPa)
- H** rel. / -1...25 bar (-100...2500 kPa)
- V** rel. / -1...60 bar (-100...6000 kPa)
- M** rel. / -0.2...0.2 bar (-20...20 kPa)
- O** rel. / -0.5...0.5 bar (-50...50 kPa)
- 1** abs. / 0...1 bar (0...100 kPa)³⁾
- 2** abs. / 0...2.5 bar (0...250 kPa)³⁾
- 3** abs. / 0...5 bar (0...500 kPa)³⁾
- 4** abs. / 0...10 bar (0...1000 kPa)³⁾
- 5** abs. / 0...25 bar (0...2500 kPa)³⁾

Electronics

- Z** 4...20mA
- H** 4...20mA/HART®
- P** Profibus PA
- F** Foundation Fieldbus

Housing / Protection

- K** Plastic / IP66/IP67
- A** Aluminium / IP66/IP67

Cable entry / Plug connection

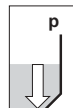
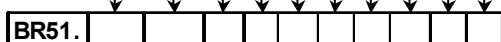
- M** M20x1.5 / without
- N** ½NPT / without

Indicating/adjustment module (PLICSCOM)

- X** Without
- A** Top mounted

Vacuum service

- X** without
- J** with (recommended for meas. ranges <0.5bar abs)



¹⁾ Only with flange version

²⁾ Max. product temperature 200°C

³⁾ A vacuum service is carried out automatically for all absolute pressure measuring ranges

- Further process fittings and options on request
- Customer-specific factory setting – free of charge –

VEGABAR 52

Pressure transmitter with inner CERTEC®

Suitable for pressure measurements of gases, vapours and liquids

- highly overload resistant
- dry, ceramic-capacitive sensor element
- deviation in characteristics 0.2%
- dry adjustment via PLICSCOM



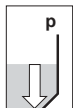
Approval

XX	without
XM	Ship approval
CX	ATEX II 1G, 1/2G, 2G EEx ia IIC T6
CM	ATEX II 1G, 1/2G, 2G EEx ia IIC T6 + Ship approval
GX	ATEX II 1/2D, 2D IP6X T
UX	FM Cl.I, Div2 (NI)+Cl.II, III, Div1 (DIP)
UF	FM Cl.I-III, DIV1 (IS)

Process fitting / Material

GV	G $\frac{1}{2}$ A, manometer connection EN837 PN160 / 316L
GC	G $\frac{1}{2}$ A, manometer connection / Hastelloy
GP	G $\frac{1}{2}$ A inner G $\frac{1}{4}$ A PN160 / 316L
GS	G $\frac{1}{2}$ A inner G $\frac{1}{4}$ A PN10 / PVDF
GL	G $\frac{1}{2}$ A inner G $\frac{1}{4}$ A PN160/Hastelloy C276
GN	$\frac{1}{2}$ NPT inner $\frac{1}{4}$ NPT PN160 / 316L
GM	$\frac{1}{2}$ NPT inner $\frac{1}{4}$ NPT PN160 / Hastelloy
GB	M20x1.5 manometer connection EN837 PN160 / 316L

Continuations see next page



Seal measuring cell

- 1 FKM (Viton)
- 2 Kalrez 6375
- 3 EPDM
- R Chemraz 535 / 120°C

Pressure / Measuring range

- A rel. / 0...0.1bar (0...10kPa)
- B rel. / 0...0.2bar (0...20kPa)
- C rel. / 0...0.4bar (0...40kPa)
- D rel. / 0...1.0bar (0...100kPa)
- E rel. / 0...2.5bar (0...250kPa)
- F rel. / 0...5.0bar (0...500kPa)
- G rel. / 0...10.0bar (0...1000kPa)
- T rel. / 0...25.0bar (0...2500kPa)
- W rel. / 0...60.0bar (0...6000kPa)
- P rel. / -1...0.0bar (-100...0kPa)
- Q rel. / -1...1.5bar (-100...150kPa)
- R rel. / -1...5.0bar (-100...500kPa)
- S rel. / -1...10.0bar (-100...1000kPa)
- H rel. / -1...25.0bar (-100...2500kPa)
- V rel. / -1...60.0bar (-100...6000kPa)
- K rel. / -0.05...0.05bar (-5...5kPa)
- L rel. / -0.1...0.1bar (-10...10kPa)
- M rel. / -0.2...0.2bar (-20...20kPa)
- O rel. / -0.5...0.5bar (-50...50kPa)
- I abs. / 0...0.1bar (0...10kPa)
- 1 abs. / 0...1.0bar (0...100kPa)
- 2 abs. / 0...2.5bar (0...250kPa)
- 3 abs. / 0...5.0bar (0...500kPa)
- 4 abs. / 0...10.0bar (0...1000kPa)
- 5 abs. / 0...25.0bar (0...2500kPa)
- 7 abs. / 0...60.0bar (0...6000kPa)
- Y Please state the meas. range !

Electronics

- Z 4...20mA
- H 4...20mA/HART®
- P Profibus PA
- F Foundation Fieldbus

Housing / Protection

- K Plastic / IP66/IP67
- A Aluminium / IP66/IP67

Cable entry / Plug connection

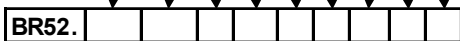
- M M20x1.5 / without
- N ½NPT / without

Indicating/adjustment module (PLICSCOM)

- X Without
- A Top mounted

Accuracy class

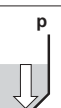
- E 0.10%
- S 0.20%



Cable length in m

per additional 100 mm PE cable

- Further process fittings and options on request
- Customer-specific factory setting – free of charge –

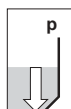


VEGABAR 53

Pressure transmitter with metal diaphragm

Suitable for pressure measurements of gases, vapours and liquids

- process fitting according to EN837 or front-flush according to ISO228
- dry adjustment via PLICSCOM
- deviation in characteristic 0.2%



Approval

- XX without
- XM Ship approval
- CX ATEX II 1G, 1/2G, 2G EEx ia IIC T6
- CM ATEX II 1G, 1/2G, 2G EEx ia IIC T6 + Ship approval
- GX ATEX II 1/2D, 2D IP6X T
- UX FM Cl.I, Div2 (NI)+Cl.II, III, Div1 (DIP)
- UF FM Cl.I-III, DIV1 (IS)

Process fitting / Material

- GV G $\frac{1}{2}$ A, manometer connection / 316Ti
- GF G $\frac{1}{2}$ A, front-flush / 316Ti with O-ring from 2.5bar
- GC G1A, front-flush / 316Ti with O-ring up to 1.6bar
- GN Thread $\frac{1}{2}$ NPT/316Ti

Seal

- 1 FKM (Viton)¹⁾
- 3 EPDM¹⁾
- 4 NBR¹⁾
- X without

Pressure / Measuring range

- C rel. / 0...0.4bar (0...40kPa)
- D rel. / 0...1.6bar (0...160kPa)
- U rel. / 0...40.0bar (0...4000kPa)
- W rel. / 0...100.0bar (0...10000kPa)
- X rel. / 0...250.0bar (0...25000kPa)
- O rel. / -1...3.0bar (-100...300kPa)
- P rel. / -1...5.0bar (-100...500kPa)
- Q rel. / -1...15.0bar (-100...1500kPa)
- Z rel. / 0...600.0bar (0...60000kPa)
- 1 abs. / 0...0.4bar (0...40kPa)
- 2 abs. / 0...1.6bar (0...160kPa)
- 3 abs. / 0...6.0bar (0...600kPa)
- 4 abs. / 0...16.0bar (0...1600kPa)
- Y Please state the meas. range !

Electronics

- Z 4...20mA
- H 4...20mA/HART®
- P Profibus PA
- F Foundation Fieldbus

Housing / Protection

- K Plastic / IP66/IP67
- A Aluminium / IP66/IP67

Cable entry / Plug connection

- M M20x1.5 / without
- N $\frac{1}{2}$ NPT / without

Indicating/adjustment module (PLICSCOM)

- X Without
- A Top mounted

Accuracy class

- E 0.10%
- S 0.20%

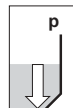


¹⁾ Only with front-flush threaded version

Cable length in m

per additional 100 mm PE cable

- Further process fittings and options on request
- Customer-specific factory setting – free of charge –
- Suitable welded sockets see page 181



VEGABAR 54

Pressure transmitter with front-flush CERTEC®

For level and pressure measurement in paper, water and waste water

- dry, ceramic-capacitive sensor element
- abrasion-resistant by CERTEC®
- highly overload resistant
- deviation in characteristics 0.2%
- dry adjustment via PLICSCOM



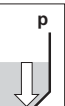
Approval

- XX** without
- XM** Ship approval
- CX** ATEX II 1G, 1/2G, 2G EEx ia IIC T6
- CM** ATEX II 1G, 1/2G, 2G EEx ia IIC T6 + Ship approval
- GX** ATEX II 1/2D, 2D IP6X T
- NX** ATEX II 1/2-D IP6X T

Process fitting / Material

- GG** Thread G1½A PN60 / 316L
- GN** Thread 1½NPT PN60 / 316L
- CA** Tri-Clamp 2" PN16 / 316L
- CE** Tri-Clamp 2½" PN10 / 316L
- LA** Hygienic fitting with compression nut F40 PN40 / 316L
- TA** Tuchenhagen Varivent DN32..., 1½.; PN25 / 316L
- RB** Bolting DN50PN25 DIN11851 / 316L
- RD** Bolting DN50PN25 Form A DIN11864 / 316L
- RT** SMS DN51 PN6 / 316L
- AA** DRD PN40 / 316L
- BB** M44x1.25; pressure screw PN60 / 316L
- SA** Neumo biocontrol Gr.50PN16/316L
- FB** Flange DN50PN40 Form C, DIN2501 / 316L
- FM** Flange DN80PN64 Form C, DIN2501/316L
- FH** Flange 2" 150lb RF, ANSI B16.5 / 316L
- GB** Thread G½A front-flush PN60 / 316L
- GC** Thread G1A completely front-flush PN60 / 316L
- BF** Thread M30x1.5 absolutely front-flush PN60/316L
- PD** PMC 1¼" front-flush
- VP** Thread G1A suitable for PASVE PN40 / 316L
- FA** Flange DN25PN40 Form B1, EN 1092-1/316L

Continuation see next page



VEGABAR 61

Pressure transmitter with isolating diaphragm

Suitable for pressure measurements of very corrosive or hot products

- application-specific process fittings and materials possible
- position correction and adjustment via PLICSCOM
- separate version of sensor and electronics possible (max. 180 m)
- deviation in characteristics 0.1%



Approval

XX	without
XM	Ship approval
CX	ATEX II 1G, 1/2G, 2G EEx ia IIC T6
CA	ATEX II 1G, 1/2G, 2G EEx ia IIC T6 + WHG
CM	ATEX II 1G, 1/2G, 2G EEx ia IIC T6 + Ship approval
DX	ATEX II 1/2G, 2G EEx d ia IIC T6 ¹⁾
GX	ATEX II 1/2D, 2D IP6X T
UX	FM CI.I, Div2 (NI)+CI.II, III, Div1 (DIP)
UF	FM CI.I-III, DIV1 (IS)

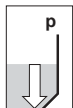
Process fitting / Material

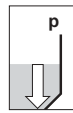
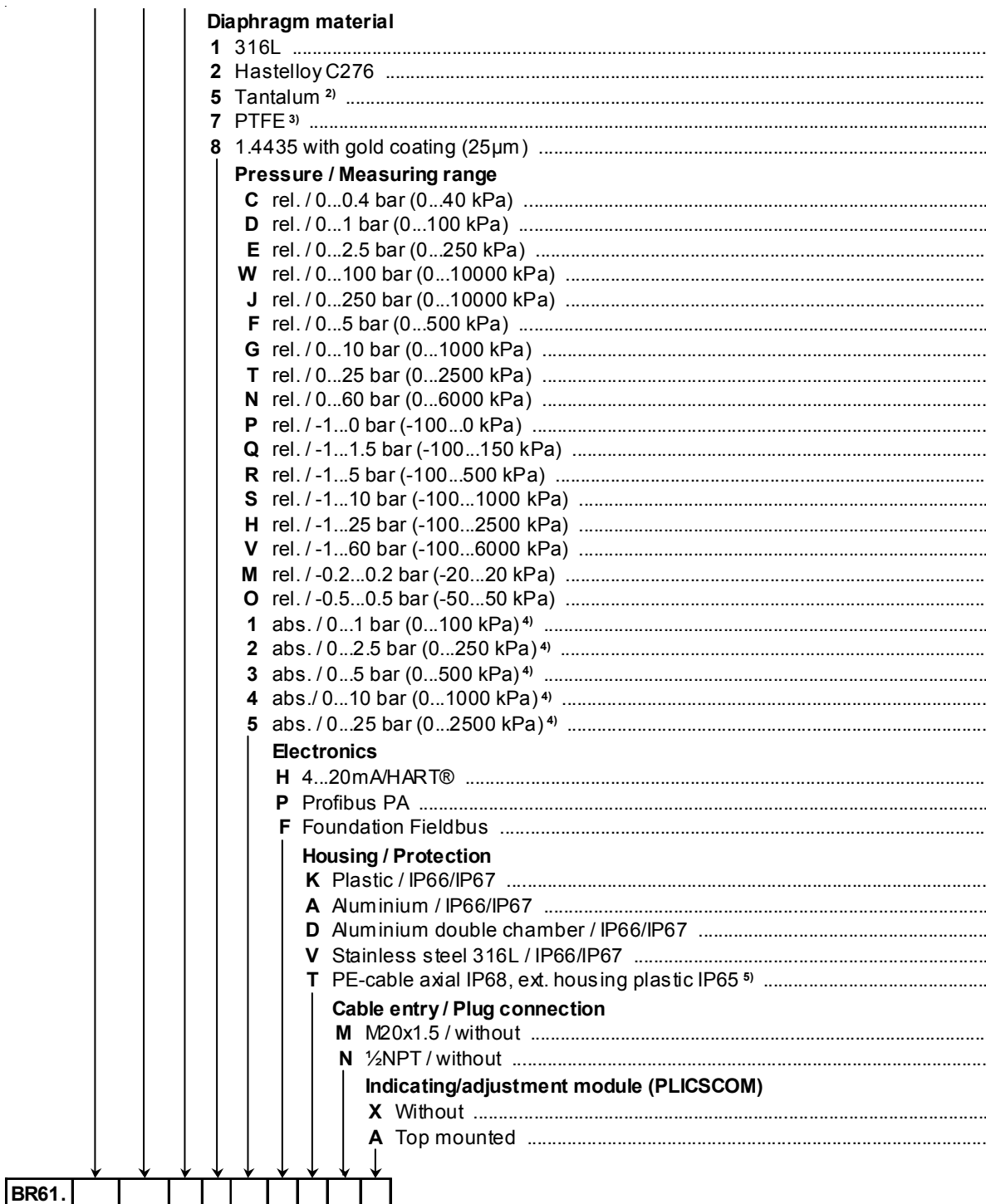
FR	Flange DN25PN40 Form D, DIN2501 / 316L
FC	Flange DN50PN40 Form D, DIN2501 / 316L
FD	Flange DN50PN40 with extension 50mm/ø48.5 / 316L
FH	Flange DN80PN40 Form D, DIN2501 / 316L
FJ	Flange DN80PN40 with extension 50mm/ø74 / 316L
F1	Flange 1" 150lb RF, ANSI B16.5 / 316L
F5	Flange 2" 150lb RF, ANSI B16.5 / 316L
F7	Flange 2" 150lb RF, ANSI w. extension 2"/ø1.9" / 316L
FS	Flange 3" 150lb RF, ANSI B16.5 / 316L
FQ	Flange 3" 150lb RF, ANSI w. extens. 6"/ø2.9" / 316L
RA	Tube isolator f. mounting betw. flanges DN25 / 316L
RH	Tube isolator with clamp connector 2" / 316L
RT	Bolting DN25PN40, DIN11851 / 316L
RQ	Bolting DN32PN40, DIN11851 / 316L
RW	Bolting DN50PN25, DIN11851 / 316L

Isolating liquid / Temperature

A	Silicone oil KN2.2 / -40...150°C (Pabs <1bar-40...150°C)
C	Silic. oil KN2.2+cool./-40...200°C (Pabs <1bar-40...150°C)
G	High-temp. oil+cooling/-10...300°C (Pabs <1bar-10...+200°C)
H	High-temp. oil+capil. 1m/-10...400°C (Pabs <1bar-10...+200°C)
I	Halocarbon oil / -40...150°C (Pabs <1bar-40...+80°C)
J	Silicone-free liquid KN70 / -40...70°C (no vacuum)
M	Med. white oil KN62(FDA)/-15...150°C (Pabs <1bar-15...150°C)
R	Med. white oil+cool. KN62 -15...200°C (Pabs <1bar-15...150°C)

Continuation see next page





1) Only in conjunction with Housing / Protection "D"
 2) Only with flange version
 3) Max. product temperature 200°C
 4) A vacuum service is carried out automatically for all absolute pressure measuring ranges
 5) 6 m PE-cable with breather capillaries incl. wall and rail mounting set

Cable length in m
 per additional 100 mm PE cable

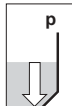
- Further process fittings and options on request
- Customer-specific factory setting – free of charge –

VEGABAR 63

Pressure transmitter with metal diaphragm

For level and pressure measurement in foodstuffs, power stations and the chemical industry

- highly overload and vacuum resistant
- separate version of sensor and electronics possible (max. 180 m)
- volume-optimised sensor housing
- deviation in characteristics 0.1%



Approval

XX	without
XM	Ship approval
CX	ATEX II 1G, 1/2G, 2G EEx ia IIC T6
CA	ATEX II 1G, 1/2G, 2G EEx ia IIC T6 + WHG
CM	ATEX II 1G, 1/2G, 2G EEx ia IIC T6 + Ship approval
DX	ATEX II 1/2G, 2G EEx d ia IIC T6 ¹⁾
GX	ATEX II 1/2D, 2D IP6X T
UX	FM Cl.I, Div2 (NI)+Cl.II, III, Div1 (DIP)
UF	FM Cl.I-III, DIV1 (IS)

Continuations see next page

Process fitting / Material

- GV** G $\frac{1}{2}$ A, manometer connection EN837 PN160 / 316L
- GF** G $\frac{1}{2}$ A, front-flush / 316Ti with O-ring from 2.5bar
- GC** G1A, front-flush / 316Ti with O-ring up to 1.6bar
- GG** G $1\frac{1}{2}$ A, front-flush / 316Ti
- GN** Thread $\frac{1}{2}$ NPT/316Ti
- CC** Tri-Clamp $1\frac{1}{2}$ " PN16 / 316L
- CA** Tri-Clamp 2" PN16 / 316L
- LA** Hyg. fitting with compression nut F40 PN40 / 316L
- RA** Bolting DN40PN40 DIN11851 / 316L
- RC** Bolting DN40PN25 DIN11864 ZG2820/316L
- RB** Bolting DN50PN25 DIN11851 / 316L
- RD** Bolting DN50PN25 Form A DIN11864 / 316L
- AA** DRD PN40 / 316L
- EA** Flange DN40PN40 Form C, DIN2501 / 316L
- FB** Flange DN50PN40 Form C, DIN2501 / 316L
- FM** Flange DN80PN64 Form C, DIN2501/316L

Seal

- 1** FKM (Viton)²⁾
- 3** EPDM²⁾
- 4** NBR²⁾
- X** without
- R** Chemraz

Pressure / Meas. range

- C** rel. / 0...0.4bar (0...40kPa)
- D** rel. / 0...1.6bar (0...160kPa)
- U** rel. / 0...40.0bar (0...4000kPa)
- W** rel. / 0...100.0bar (0...10000kPa)
- X** rel. / 0...250.0bar (0...25000kPa)
- O** rel. / -1...3.0bar (-100...300kPa)
- P** rel. / -1...5.0bar (-100...500kPa)
- Q** rel. / -1...15.0bar (-100...1500kPa)
- Z** rel. / 0...600.0bar (0...60000kPa)
- 1** abs. / 0...0.4bar (0...40kPa)
- 2** abs. / 0...1.6bar (0...160kPa)
- 3** abs. / 0...6.0bar (0...600kPa)
- 4** abs. / 0...16.0bar (0...1600kPa)
- Y** Please state the meas. range !

Electronics

- H** 4...20mA/HART®
- P** Profibus PA
- F** Foundation Fieldbus

Housing / Protection

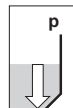
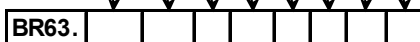
- K** Plastic / IP66/IP67
- A** Aluminium / IP66/IP67
- D** Aluminium double chamber / IP66/IP67
- V** Stainless steel 316L / IP66/IP67
- T** PE-cable axial IP68, ext. housing plastic IP65³⁾

Cable entry / Plug connection

- M** M20x1.5 / without
- N** $\frac{1}{2}$ NPT / without

Indicating/adjustment module (PLICSCOM)

- X** Without
- A** Top mounted



¹⁾ Only in conjunction with Housing / Protection "D"
²⁾ Only with front-flush threaded version
³⁾ 6 m PE-cable with breather capillaries incl. wall and rail mounting set
 • Further process fittings and options on request
 • Customer-specific factory setting – free of charge –

VEGABAR 64

Pressure transmitter with front-flush CERTEC®

For level and pressure measurement in paper, pharmaceutical and water/waste water industries

- characteristic deviation 0.075%
- dry, ceramic-capacitive sensor element
- abrasion resistance due to ceramic CERTEC®
- high overload resistance
- separate version of sensor and electronics possible (max. 180 m)



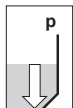
Approval

XX	without
XM	Ship approval
CX	ATEX II 1G, 1/2G, 2G EEx ia IIC T6
CA	ATEX II 1G, 1/2G, 2G EEx ia IIC T6 + WHG
CM	ATEX II 1G, 1/2G, 2G EEx ia IIC T6 + Ship approval
DX	ATEX II 1/2G, 2G EEx d ia IIC T6 ¹⁾
GX	ATEX II 1/2D, 2D IP6X T
UX	FM Cl.I, Div2 (NI)+Cl.II, III, Div1 (DIP)
UF	FM Cl.I-III, DIV1(IS)

Process fitting / Material

GV	G ¹ / ₂ A, manometer connection EN837 PN160 / 316L
GH	G ¹ / ₂ A, manometer connection / Hastelloy
GJ	G ¹ / ₂ A, inner G ¹ / ₄ A, PN160 / 316L
GS	G ¹ / ₂ A, inner G ¹ / ₄ A, PN10 / PVDF
GM	G ¹ / ₂ A, inner G ¹ / ₄ A, PN160/Hastelloy C276
GG	Thread G1 ¹ / ₂ A PN60 / 316L
GW	Thread G1 ¹ / ₂ A PN10 / PVDF
GN	Thread 1 ¹ / ₂ NPT PN60 / 316L
GO	1 ¹ / ₂ NPT, inner 1 ¹ / ₄ NPT, PN160 / 316L
GR	1 ¹ / ₂ NPT, inner 1 ¹ / ₄ NPT, PN160 / Hastelloy
CA	Tri-Clamp 2" PN16 / 316L
LA	Hyg.connection w. compression nut F40 PN40 / 316L
TA	Tuchenhagen Varivent DN32..., 1 ¹ / ₂ .; PN25 / 316L
RA	Bolting DN40PN40 DIN11851 / 316L
RC	Bolting DN40PN25 Form A DIN11864/1.443
RB	Bolting DN50PN25 DIN11851 / 316L
RD	Bolting DN50PN25 Form A DIN11864 / 316L
RS	SMS DN38 PN40 / 316L
AA	DRD PN40 / 316L
BA	M44x1.25; pressure screw Alu PN25 / 316L
BB	M44x1.25; pressure screw PN60 / 316L
SL	Small flange DN10 PN1.5 DIN 28403-ISO2861/316L
EA	Flange DN40PN40 Form C, DIN2501 / 316L
FW	Flange DN50PN16 / PVDF
FB	Flange DN50PN40 Form C, DIN2501 / 316L
TR	Flange with extens. DN50PN40 ZG2659, 316L
FE	Flange DN80PN40 Form C, DIN2501 / 316L
FM	Flange DN80PN64 Form C, DIN2501/316L
EV	For headbox 2-fold flat-topped ZG2819/316L
FQ	Flange 1 ¹ / ₂ " 150lb RF, ANSI B16.5/316L
FH	Flange 2" 150lb RF, ANSI B16.5 / 316L
FI	Flange 3" 150lb RF, ANSI B16.5 / 316L

Continuation see next page



Seal measuring cell / Process temperature

- 1 FKM (Viton) / 120°C
- 2 Kalrez 6375 / 120°C
- 3 EPDM / 120°C

Pressure / Measuring range

- A rel. / 0...0.1bar (0...10kPa)
- B rel. / 0...0.2bar (0...20kPa)
- C rel. / 0...0.4bar (0...40kPa)
- D rel. / 0...1.0bar (0...100kPa)
- E rel. / 0...2.5bar (0...250kPa)
- F rel. / 0...5.0bar (0...500kPa)
- G rel. / 0...10.0bar (0...1000kPa)
- H rel. / 0...25.0bar (0...2500kPa)
- U rel. / 0...60.0bar (0...6000kPa)
- P rel. / -1...0.0bar (-100...0kPa)
- Q rel. / -1...1.5bar (-100...150kPa)
- R rel. / -1...5.0bar (-100...500kPa)
- S rel. / -1...10.0bar (-100...1000kPa)
- T rel. / -1...25.0bar (-100...2500kPa)
- W rel. / -1...60.0bar (-100...6000kPa)
- K rel. / -0.05...0.05bar (-5...5kPa)
- L rel. / -0.1...0.1bar (-10...10kPa)
- M rel. / -0.2...0.2bar (-20...20kPa)
- O rel. / -0.5...0.5bar (-50...50kPa)
- I abs. / 0...0,1bar (0...10kPa)²⁾
- 1 abs. / 0...1.0bar (0...100kPa)
- 2 abs. / 0...2.5bar (0...250kPa)
- 3 abs. / 0...5.0bar (0...500kPa)
- 4 abs. / 0...10.0bar (0...1000kPa)
- 5 abs. / 0...25.0bar (0...2500kPa)

Electronics

- H 4...20mA/HART®
- P Profibus PA
- F Foundation Fieldbus

Housing / Protection

- K Plastic / IP66/IP67
- A Aluminium / IP66/IP67
- D Aluminium double chamber / IP66/IP67
- V Stainless steel 316L / IP66/IP67
- T PE-cable axial IP68, ext. housing plastic IP65³⁾

Cable entry / Plug connection

- M M20x1.5 / without
- N ½NPT / without

Indicating/adjustment module (PLICSCOM)

- X Without
- A Top mounted

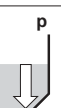


¹⁾ Only in conjunction with Housing / Protection "D"
²⁾ Deviation in characteristic 0.25%
³⁾ 6 m PE-cable with breather capillaries incl. wall and rail mounting set

Cable length in m
 per additional 100 mm PE cable

Accessory Form seal of EPDM Article no. 2.17775
 Form seal of FKM (Viton) Article no. 2.21962

- Further process fittings and options on request
- Customer-specific factory setting – free of charge –



VEGABAR 65

Pressure transmitter with METEC®

For level and pressure measurements in chemical, food processing and pharmaceutical industries

- characteristic deviation 0.075%
- vacuum resistant
- permanent product temperature up to 200°C
- material wetted parts 316L and Hastelloy C276 or gold-coated
- separate version of sensor and electronics possible (max. 180 m)



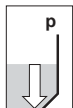
Approval

XX	without
XM	Ship approval
CX	ATEX II 1G, 1/2G, 2G EEx ia IIC T6
CA	ATEX II 1G, 1/2G, 2G EEx ia IIC T6 + WHG
CM	ATEX II 1G, 1/2G, 2G EEx ia IIC T6 + Ship approval
DX	ATEX II 1/2G, 2G EEx d ia IIC T6 ¹⁾
GX	ATEX II 1/2D, 2D IP6XT
UX	FM Cl.I, Div2 (NI)+Cl.II, III, Div1 (DIP)
UF	FM Cl.I-III, DIV1 (IS)

Process fitting / Material

FB	Flange DN40PN40 Form C, DIN2501 / 316L
FC	Flange DN50PN40 Form C, DIN2501 / 316L
TR	Flange with extens. DN50PN40 ZG2873,316L
FH	Flange DN80PN40 Form C, DIN2501 / 316L
F5	Flange 2" 150lb RF, ANSI B16.5 / 316L
GG	Thread G1 1/2A PN60 / 316L
GN	Thread 1 1/2NPT PN60 / 316L
CA	Tri-Clamp 2" PN16 / 316L
LA	Hygienic connec. w. compression nut F40PN40 / 316L
TA	Tuchenhagen Varivent DN32..., 1 1/2...; PN25 / 316L
RV	Bolting DN40PN40, DIN11851 / 316L
RW	Bolting DN50PN25, DIN11851 / 316L
AA	DRD PN40 / 316L
BB	M44x1.25 with pressure screw 316L PN60 / 316L
SB	SMS DN51 PN6 / 316L

Continuation see next page



Isolating liquid / Temperature

- M** Med.white oil (FDA)/ -12...140°C (Pabs<1bar-12..130°C)
- N** Med.white oil (FDA)/ -12...120°C (Pabs<1bar-12..1120°C)
- S** Med.w.oil,cool.(FDA)/-12..180°C(Pabs <1bar -12..130°C)
- R** Med.w.oil,cool.(FDA)/-12..200°C(Pabs <1bar -12..130°C)

Pressure / Measuring range

- A** rel. / 0...0.1bar (0...10kPa)
- B** rel. / 0...0.2bar (0...20kPa)
- C** rel. / 0...0.4bar (0...40kPa)
- D** rel. / 0...1.0bar (0...100kPa)
- E** rel. / 0...2.5bar (0...250kPa)
- F** rel. / 0...5.0bar (0...500kPa)
- G** rel. / 0...10.0bar (0...1000kPa)
- T** rel. / 0...25.0bar (0...2500kPa)
- P** rel. / -1...0.0bar (-100...0kPa)
- Q** rel. / -1...1.5bar (-100...150kPa)
- R** rel. / -1...5.0bar (-100...500kPa)
- S** rel. / -1...10.0bar (-100...1000kPa)
- H** rel. / -1...25.0bar (-100...2500kPa)
- K** rel. / -0.05...0.05bar (-5...5kPa)
- L** rel. / -0.1...0.1bar (-10...10kPa)
- M** rel. / -0.2...0.2bar (-20...20kPa)
- O** rel. / -0.5...0.5bar (-50...50kPa)
- 1** abs. / 0...1.0bar (0...100kPa)
- 2** abs. / 0...2.5bar (0...250kPa)
- 3** abs. / 0...5.0bar (0...500kPa)
- 4** abs. / 0...10.0bar (0...1000kPa)
- 5** abs. / 0...25.0bar (0...2500kPa)

Electronics

- H** 4...20mA/HART®
- P** Profibus PA
- F** Foundation Fieldbus

Housing / Protection

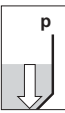
- K** Plastic / IP66/IP67
- A** Aluminium / IP66/IP67
- D** Aluminium double chamber / IP66/IP67
- V** Stainless steel 316L / IP66/IP67
- T** PE-cable axial IP68, ext. housing plastic IP65²⁾

Cable entry / Plug connection

- M** M20x1.5 / without
- N** ½NPT / without

Indicating/adjustment module (PLICSCOM)

- X** Without
- A** Top mounted



¹⁾ Only in conjunction with Housing / Protection "D"
²⁾ 6 m PE-cable with breather capillaries incl. wall and rail mounting set

Cable length in m
 per additional 100 mm PE cable

- Further process fittings and options on request
- Customer-specific factory setting – free of charge –

VEGABAR 66

Suspension pressure transmitter with front-flush CERTEC®

For level and gauge measurement in water/waste water, basins and vessels

- characteristic deviation 0.1%
- dry, ceramic-capacitive sensor element
- longterm stability 0.1%/2 years
- minimised pollution with buildup due to self-cleaning effect
- potted casting component with inner capillaries



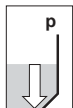
Approval

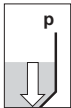
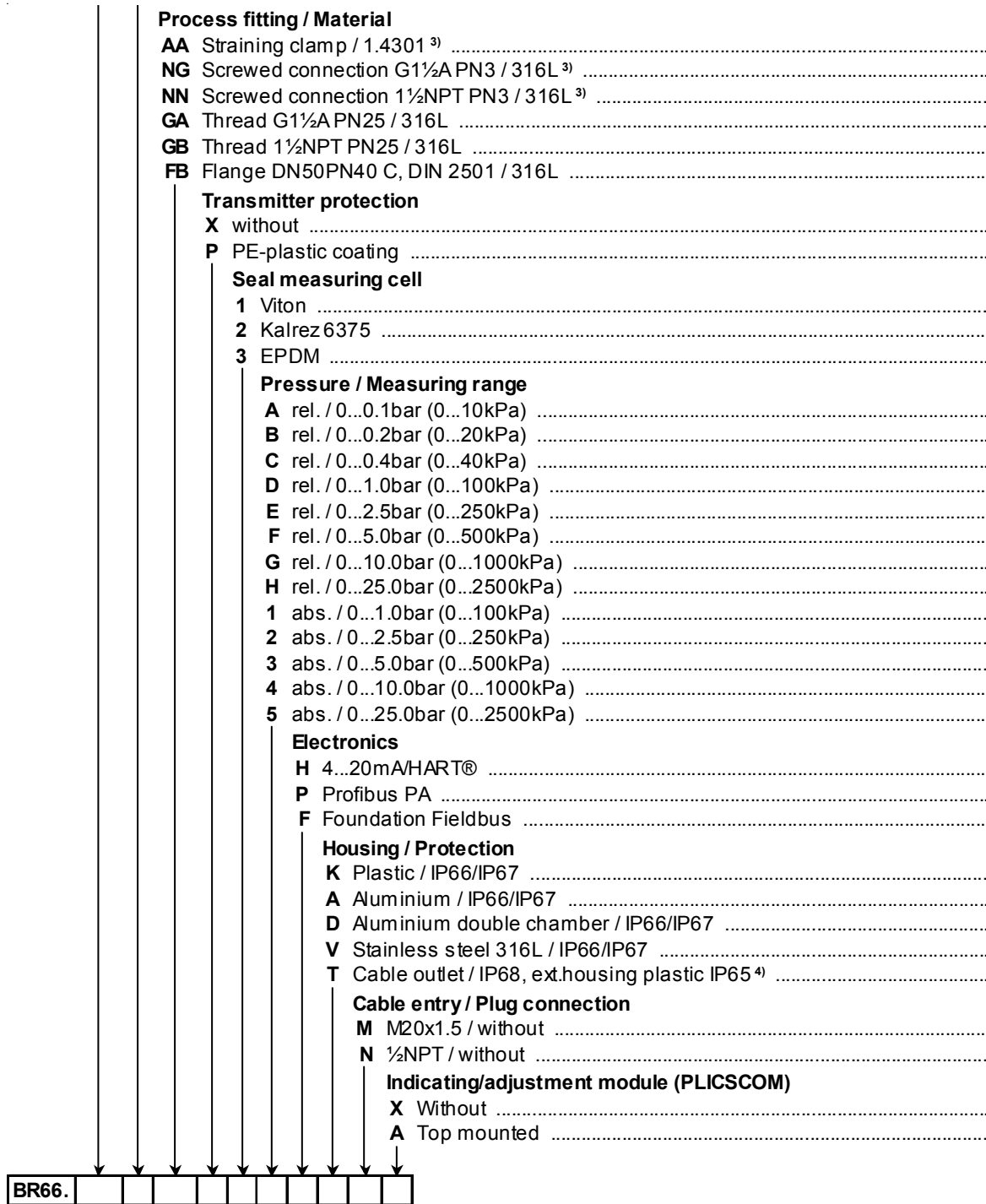
XX	without
XM	Ship approval
CX	ATEX II 1G, 1/2G, 2G EEx ia IIC T6
CA	ATEX II 1G, 1/2G, 2G EEx ia IIC T6 + WHG
CM	ATEX II 1G, 1/2G, 2G EEx ia IIC T6 + Ship approval
DX	ATEX II 1/2G, 2G EEx d ia IIC T6 ¹⁾
GX	ATEX II 1/2D, 2D IP6X T
UX	FM Cl.I, Div2 (NI)+Cl.II, III, Div1 (DIP)
UF	FM Cl.I-III, DIV1(IS)

Version / Material

A	Suspension cable / PE ²⁾
C	Suspension cable / PUR ²⁾
B	Suspension cable / FEP ²⁾
D	Connection tube / 316L

Continuation see next page





¹⁾ Only in conjunction with Housing / Protection "D"
²⁾ Max. suspension cable length 180 m
³⁾ Only in conjunction with Housing / Protection "T"
⁴⁾ Incl. wall and rail mounting set

Total length in m

- per 100 mm PE cable
- per 100 mm FEP cable
- per 100 mm PUR cable
- per 100 mm tube/316L

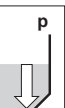
- Further process fittings and options on request
- Customer-specific factory setting – free of charge –

VEGABAR 67

Suspension pressure transmitter with METEC®

Suitable for level and gauge measurements in vessels

- characteristic deviation 0.1%
- permanent product temperature up to 100°C
- material wetted parts 316L, Hastelloy C276 and/or FEP



Approval

XX	without
XM	Ship approval
CX	ATEX II 1G, 1/2G, 2G EEx ia IIC T6
CA	ATEX II 1G, 1/2G, 2G EEx ia IIC T6 + WHG
CM	ATEX II 1G, 1/2G, 2G EEx ia IIC T6 + Ship approval
DX	ATEX II 1/2G, 2G EEx d ia IIC T6 ¹⁾
GX	ATEX II 1/2D, 2D IP6X T
UX	FM Cl.I, Div2 (NI)+Cl.II, III, Div1 (DIP)
UF	FM Cl.I-III, DIV1 (IS)

Continuation see next page

Version / Material

- B** Suspension cable / FEP²⁾
- D** Connection tube / 316L

Process fitting / Material

- AA** Straining clamp / 1.4301³⁾
- NG** Screwed connection G1½A PN3 / 316L³⁾
- NN** Screwed connection 1½NPT PN3 / 316L³⁾
- GA** Thread G1½A PN25 / 316L
- GB** Thread 1½NPT PN25 / 316L
- FB** Flange DN50PN40 C, DIN 2501 / 316L

Pressure / Measuring range

- A** rel. / 0...0.1bar (0...10kPa)
- B** rel. / 0...0.2bar (0...20kPa)
- C** rel. / 0...0.4bar (0...40kPa)
- D** rel. / 0...1.0bar (0...100kPa)
- E** rel. / 0...2.5bar (0...250kPa)
- F** rel. / 0...5.0bar (0...500kPa)
- G** rel. / 0...10.0bar (0...1000kPa)
- H** rel. / 0...25.0bar (0...2500kPa)
- 1** abs. / 0...1.0bar (0...100kPa)
- 2** abs. / 0...2.5bar (0...250kPa)
- 3** abs. / 0...5.0bar (0...500kPa)
- 4** abs. / 0...10.0bar (0...1000kPa)
- 5** abs. / 0...25.0bar (0...2500kPa)

Electronics

- H** 4...20mA/HART®
- P** Profibus PA
- F** Foundation Fieldbus

Housing / Protection

- K** Plastic / IP66/IP67
- A** Aluminium / IP66/IP67
- D** Aluminium double chamber / IP66/IP67
- V** Stainless steel 316L / IP66/IP67
- T** Cable outlet / IP68, ext.housing plastic IP65⁴⁾

Cable entry / Plug connection

- M** M20x1.5 / without
- N** ½NPT / without

Indicating/adjustment module (PLICSCOM)

- X** Without
- A** Top mounted

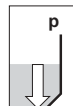
BR67.									
--------------	--	--	--	--	--	--	--	--	--

1) Only in conjunction with Housing / Protection "D"
 2) Max. suspension cable length 180 m
 3) Only in conjunction with Housing / Protection "T"
 4) Incl. wall and rail mounting set

Total length L in m

per 100 mm FEP cable
 per 100 mm tube of 316L

- Further process fittings and options on request
- Customer-specific factory setting – free of charge –

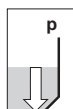


VEGAWELL 51

Suspension pressure transmitter with CERTEC

Suitable for gauge measurements in deep wells, water and sewage water

- dry, ceramic-capacitive sensor element
- two-wire system 4...20mA
- diameter of the transmitter 22mm
- integrated overvoltage protection
- optionally available with HART and/or PT100



Approval

- XX** without
- XM** Ship approval
- AX** ATEX II 2G EEx ia IIC T6

Process fitting / Material

- X4** without
- A4** Straining clamp / 1.4301(304)
- GA** Threaded fitting, unassembled G1½ APN3 / 1.4435(316L)

Material suspension cable

- A** PE
- D** PUR
- B** FEP

Length

- F** 10m PE (can be shortened)
- M** 27m PE (can be shortened)
- T** customer-specific (PE,PUR,FEP)

Material sensor housing

- V** of stainless steel 316L

Measuring cell seal

- 1** FKM (Viton)
- 2** FFKM

Pressure / Measuring range

- A** rel. / 0...0.1 bar (0...10 kPa)
- B** rel. / 0...0.2 bar (0...20 kPa)
- C** rel. / 0...0.4 bar (0...40 kPa)
- D** rel. / 0...1 bar (0...100 kPa)
- E** rel. / 0...2.5 bar (0...250 kPa)
- F** rel. / 0...5 bar (0...500 kPa)
- G** rel. / 0...10 bar (0...1000 kPa)

Electronics

- C** 4...20mA
- D** 4...20mA/HART® + PT100 4-wire

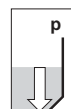
Accuracy class

- 1** 0.20

WL51.										
-------	--	--	--	--	--	--	--	--	--	--

Total length in m

- PE
- PUR
- FEP

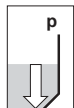


VEGAWELL 72

Suspension pressure transmitter with CERTEC®

Suitable for level and gauge measurements in water/waste water, deep wells and the shipbuilding industry

- dry, ceramic-capacitive sensor element
- longterm stability 0.1%/2 years
- two wire system 4...20mA
- diameter of the transmitter 32 mm
- integrated overvoltage protection



Approval

- XX** without
- XM** Ship approval
- AX** ATEX II 2G EEx ia IIC T6
- AM** ATEX II 2G EEx ia IIC T6 + Ship approval

Version

- A** PE suspension cable ¹⁾
- D** PUR suspension cable ¹⁾
- B** FEP suspension cable ²⁾

Process fitting / Material

- X4** Without / 316L
- A4** Straining clamp / 1.4301
- GA** Screwed connection G1½A PN3 / 316L
- GB** Screwed connection 1½NPT PN3 / 316L
- GI** Plastic housing G1½A with threaded fitting

Transmitter protection

- X** Without
- P** PE-plastic coating
- V** Special version for deep wells

Deviation in characteristic

- 1** 0.25
- 2** 0.10 ³⁾

Pressure / Measuring range

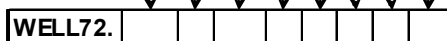
- A** rel. / 0...0.1 bar (0...10 kPa)
- B** rel. / 0...0.2 bar (0...20 kPa)
- C** rel. / 0...0.4 bar (0...40 kPa)
- D** rel. / 0...1 bar (0...100 kPa)
- E** rel. / 0...2.5 bar (0...250 kPa)
- F** rel. / 0...5 bar (0...500 kPa)
- G** rel. / 0...10 bar (0...1000 kPa)
- H** rel. / 0...25 bar (0...2500 kPa)
- 1** abs. / 0...1bar (0...100kPa)
- 2** abs. / 0...2.5bar (0...250kPa)
- 3** abs. / 0...5bar (0...500kPa)
- 4** abs. / 0...10bar (0...1000kPa)
- 5** abs. / 0...25bar (0...2500kPa)

Electronics

- H** 4...20mA/HART®
- C** 4...20mA

Length

- K** 6m PE suspension cable
- L** 12m PE suspension cable
- M** 27m PE suspension cable
- T** Special length (PE,PUR,FEP)

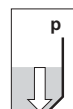


¹⁾ Measuring cell seal FKM(Viton)
²⁾ Measuring cell seal Kalrez
³⁾ Only in conjunction with HART® electronics

Total length in m

- per 100 mm PE cable
- per 100 mm FEP cable
- per 100 mm PUR cable

- Customer-specific factory setting on request



VEGABAR 74

Pressure transmitter with front-flush CERTEC®

For level and pressure measurements in the paper, food processing and pharmaceutical industry as well as water/waste water applications

- characteristic deviation 0.075%
- dry, ceramic-capacitive sensor element
- abrasion resistant by ceramic CERTEC®
- protection IP68, IP69K
- two-wire system 4...20mA/HART



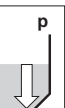
Approval

- XX** without
- XM** Ship approval
- CX** ATEX II 1G EEx ia IIC T6
- AX** ATEX II 2G EEx ia IIC T6
- AM** ATEX II 2G EEx ia IIC T6 + Ship approval

Process fitting / Material

- GI** G $\frac{1}{2}$ A inner G $\frac{1}{4}$ A PN160 / 316L
- GG** Thread G1 $\frac{1}{2}$ A PN60 / 316L
- GN** Thread 1 $\frac{1}{2}$ NPT PN60 / 316L
- CA** Tri-Clamp 2" PN16 / 316L
- LA** Hyg.connection w. compression nut F40 PN40 / 316L
- TA** Tuchenhagen Varivent DN32..., 1 $\frac{1}{2}$.; PN25 / 316L
- RA** Bolting DN40PN40 DIN11851 / 316L
- RB** Bolting DN50PN25 DIN11851 / 316L
- AA** DRD PN40 / 316L
- BA** M44x1.25 with pressure screw Alu PN25 / 316L
- BB** M44x1.25; with pressure screw PN60 / 316L
- EA** Flange DN40PN40 Form C, DIN2501 / 316L
- FB** Flange DN50PN40 Form C, DIN2501 / 316L
- FE** Flange DN80PN40 Form C, DIN2501 / 316L
- FH** Flange 2" 150lb RF, ANSI B16.5 / 316L
- FI** Flange 3" 150lb RF, ANSI B16.5 / 316L

Continuation see next page



VEGABAR 75

Pressure transmitter with METEC®

For level and pressure measurements in the chemical, food processing and pharmaceutical industry

- characteristic deviation 0.075%
- vacuum resistant
- wetted parts 316L and Hastelloy C276
- protection IP68, IP69K
- two-wire system 4...20mA/HART



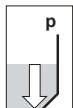
Approval

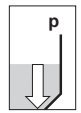
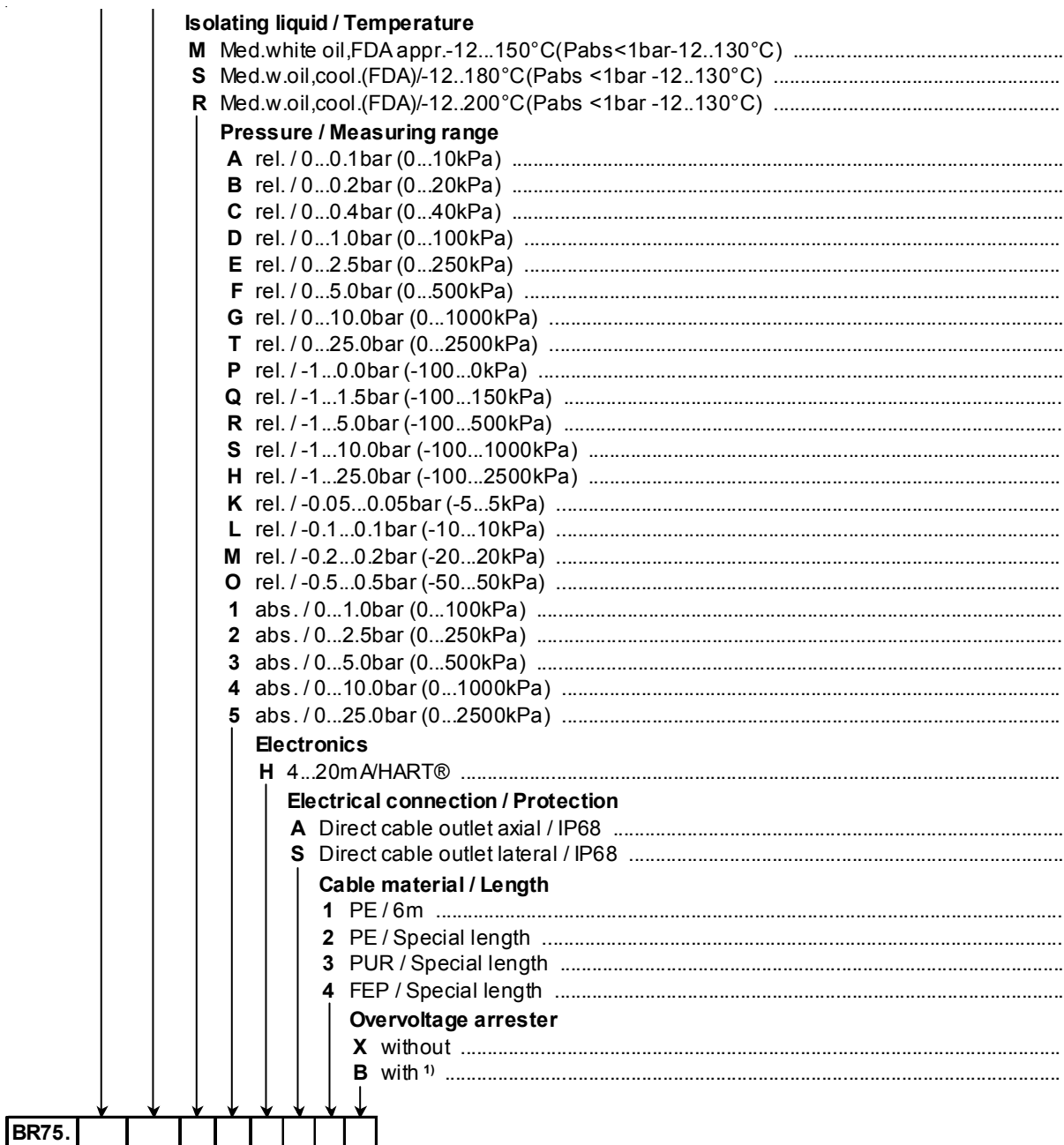
XX	without
XM	Ship approval
CX	ATEX II 1G EEx ia IIC T6
CK	ATEX II 1G EEx ia IIC T6 + ATEX II 1/2D,2D IP6X T
AX	ATEX II 2G EEx ia IIC T6
AM	ATEX II 2G EEx ia IIC T6 + Ship approval
GX	ATEX II 1/2D,2D IP6X T

Process fitting / Material

FB	Flange DN40PN40 Form C, DIN2501 / 316L
FC	Flange DN50PN40 Form C, DIN2501 / 316L
FH	Flange DN80PN40 Form C, DIN2501 / 316L
F5	Flange 2" 150lb RF, ANSI B16.5 / 316L
GG	Thread G1½A PN60 / 316L
GN	Thread 1½NPT PN60 / 316L
CA	Tri-Clamp 2" PN16 / 316L
LA	Hygienic connec. w. compression nut F40PN40 / 316L
TA	Tuchenhagen Varivent DN40..., 1½...; PN25 / 316L
RV	Bolting DN40PN40, DIN11851 / 316L
RW	Bolting DN50PN40, DIN11851 / 316L
AA	DRD PN40 / 316L
BB	M44x1.25 with pressure screw 316L PN60 / 316L
SB	SMS DN51 PN6 / 316L

Continuation see next page





¹⁾ Only in conjunction with Approval 'XX' or 'AX'

Connection cable in m
 per 100 mm PE cable
 per 100 mm FEP cable
 per 100 mm PUR cable

- Further process fittings and options on request
- Customer-specific factory setting on request

VEGADIS 12

Adjustment/indication without external energy for pressure transmitters

Use with VEGAWELL 72 HART, VEGABAR 74/75 pressure transmitters

- with high quality ventilation filter
- wall or rail mounting
- LC display for digital and quasi-analogue presentation of measured values
- indication range: -9999...9999 with individually adjustable decimal point
- protection: IP67

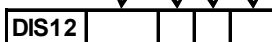


Approval

- .X without
- EX.X ATEX II 2G EEx ia IIC T6

Adjustment unit for pressure transmitter

- B mounted
- Display
 - X without
 - A mounted
- Protective cover
 - X without
 - W with



VEGABOX01

Breather housing with high-quality ventilation filter

Suitable for all pressure transmitters

- wall or rail mounting possible
- protection IP66/IP67

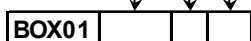


Approval

- .X without
- .XM Ship approval
- EX.X Connection to pressure transmitter with ATEX certificate

Transmission

- A Analogue
- Protective cover
 - X without
 - W with

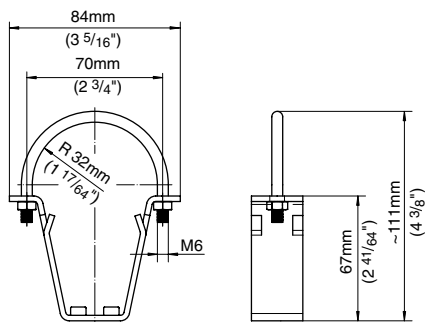


Measuring instrument holder for wall/tube mounting

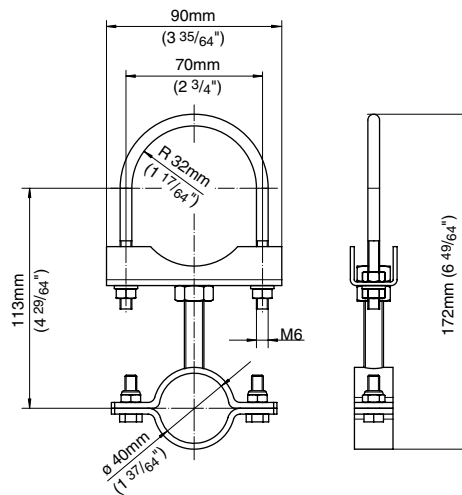
Version

- C** for fastening of the external processing unit BAR6x
- D** for VEGABAR series 14, 42, 50, 60, 70; VEGAWELL 72

BARMONT.



BARMONT.C



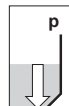
BARMONT.D

Threaded fitting 1.4435 (316L)

Version / Material

- GA** Threaded fitting G1½A PN3 / 316L
- GB** Threaded fitting 1½NPT PN3 / 316L

WLVSCHR.



Straining clamp VEGABAR series 60

Material

- 27363** Stainless steel 304

2.

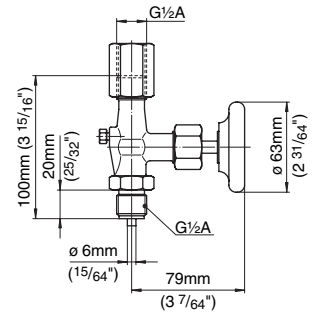
Welding sleeve VEGABAR

Version / Material / Outer-ø / Instrument

- 15986** M44x1.25 paper industry / 316Ti / ø60x21 mm / BAR64/65
- 27866** G½ / 316Ti / ø50x21 mm / BAR17/53
- 27867** G1 / 316Ti / ø50x21 mm / BAR17/53/54
- 27868** G1 hygienic / 316L / ø50x25.5 mm / BAR17/53
- 28673** G½ / 316L / ø30x21 mm / BAR17/53
- 29642** G1 PASVE vessel / 316L / ø40x67.5 mm / BAR54
- 29796** G½ / 316L / ø30x21 mm / BAR54
- 29934** G1 PASVE pipeline / 316L / ø30x67.5 mm / BAR54

2.

Block valve



Material

- 20057 Stainless steel 1.4571
- 20056 Steel

2.

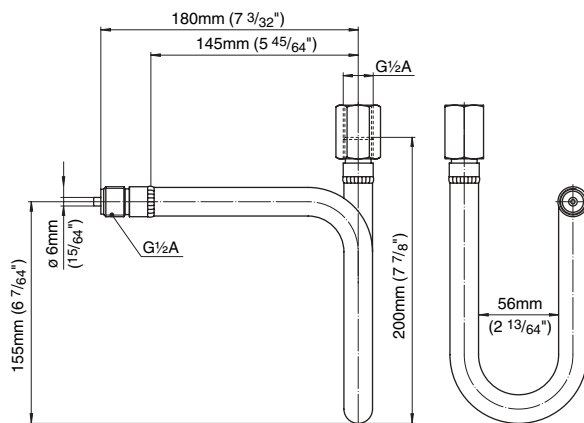
Siphon

Version / Material

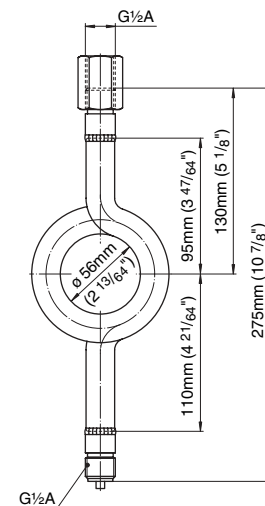
- 19991 U-form, horizontal pressure extraction / Steel
- 19992 Circular form, vertical pressure extraction / Steel
- 19993 U-form, horizontal pressure extraction / 316Ti
- 19994 Circular form, vertical pressure extraction / 316Ti

2.

Siphon in U-form

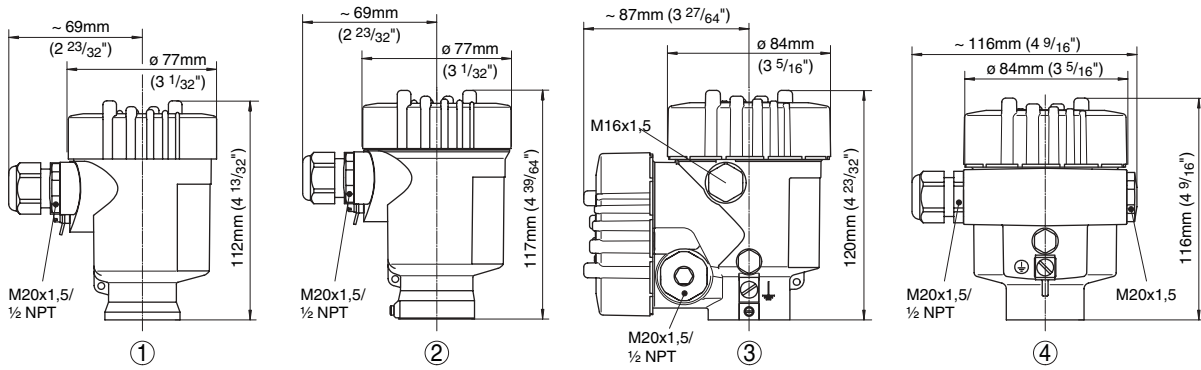


Siphon in circular form



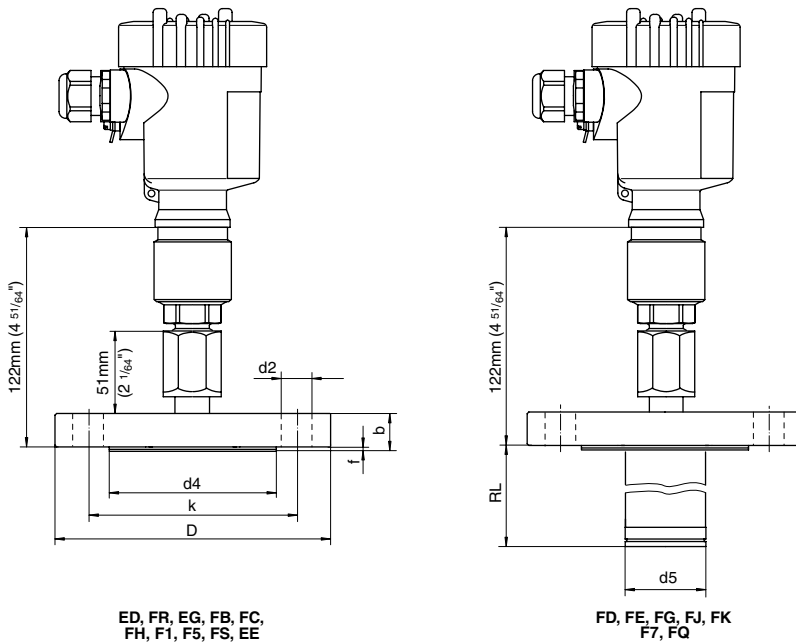
Dimensions

Housing



- 1 Plastic housing
- 2 Stainless steel housing
- 3 Aluminium double chamber housing
- 4 Aluminium housing

VEGABAR 51 – Flange version

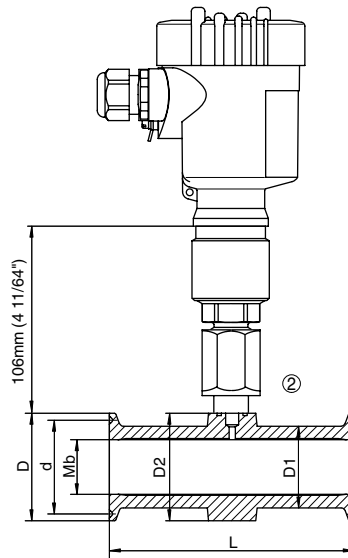
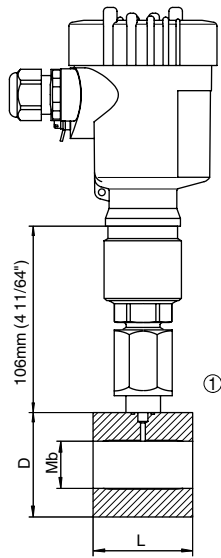


①	DN	PN	D	b	k	d2	d4	f	RL	d5	dM ^③
ED	20	40	105	18	75	4x ϕ 14	58	2	-	-	-
FR	25	40	115	18	85	4x ϕ 14	68	2	-	-	-
EG	32	40	140	18	100	4x ϕ 18	78	2	-	-	-
FB	40	40	150	18	110	4x ϕ 18	88	3	-	-	-
FC	50	40	165	20	125	4x ϕ 18	102	3	-	-	-
FD	50	40	165	20	125	4x ϕ 18	102	3	50	48,3	47
FE	50	40	165	20	125	4x ϕ 18	102	3	100	48,3	47
FG	50	40	165	20	125	4x ϕ 18	102	3	200	48,3	47
FH	80	40	200	24	160	8x ϕ 18	138	3	-	-	-
FJ	80	40	200	24	160	8x ϕ 18	138	3	50	76	72
FK	80	40	200	24	160	8x ϕ 18	138	3	100	76	72
EE	100	40	235	24	190	8x ϕ 22	162	3	100	76	72

②	"	lbs	D	b	k	d2	d4	f	RL	d5	dM ^③
F1	1"	150	5"	3/4"	3 7/8"	4x ϕ 5/8"	2"	1/8"	-	-	-
F5	2"	150	6"	3/4"	4 3/4"	4x ϕ 5/8"	3 5/8"	1/8"	-	-	-
F7	2"	150	6"	3/4"	4 3/4"	4x ϕ 5/8"	3 5/8"	1/8"	2"	1,9"	-
FS	3"	150	7 1/2"	3/4"	6"	4x ϕ 5/8"	5"	1/8"	-	-	-
FQ	3"	150	7 1/2"	3/4"	6"	4x ϕ 5/8"	5"	1/8"	6"	2,9"	-

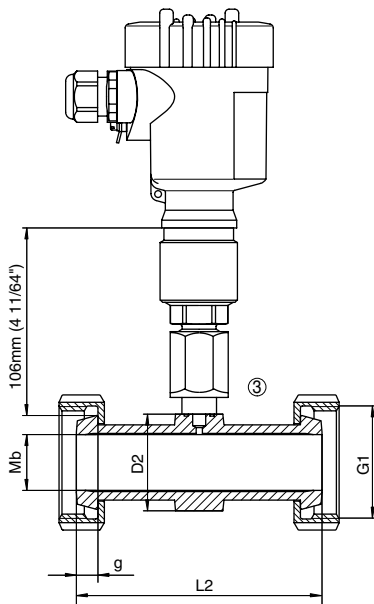
- 1 Flange connection according to DIN 2501
 - 2 Flange connection according to ANSI B 16.5
 - 3 Diaphragm diameter
- Specifications in mm or inch

VEGABAR 51 – Tube isolating diaphragm



mm	DN	PN	D	Mb	L
RA	25	6...400	63	28,5	60
inch	DN	PN	D	Mb	L
RA	25	6...400	2 31/64"	1 1/8"	2 23/64"

mm	DN	PN	L	D	d	D1	D2	Mb
RH	2"	40	156	64	56,3	56	75	48
inch	DN	PN	L	D	d	D1	D2	Mb
RH	2"	40	6 9/64"	2 33/64"	2 7/32"	2 13/64"	2 61/64"	1 57/64"

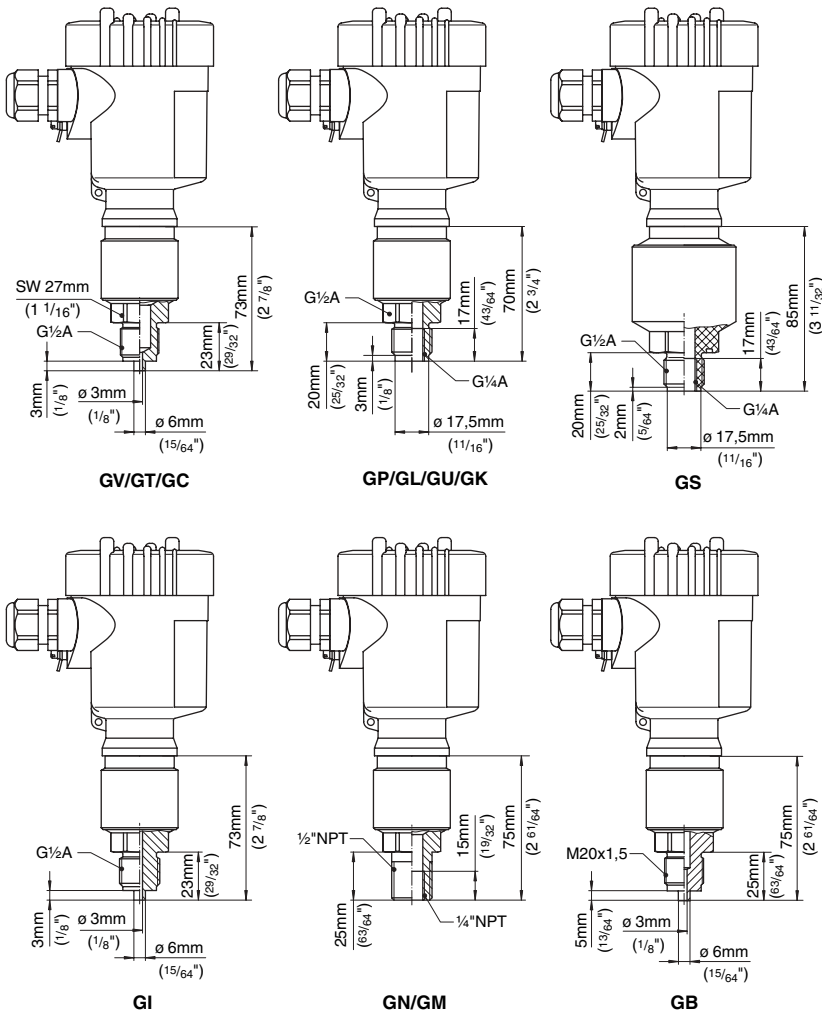


mm	DN	PN	G1	L2	D2	Mb
RT	25	40	Rd52x1,6	114	46	26
RQ	32	40	Rd58x1,6	140	52	32
RW	50	25	Rd78x1,6	156	70	50

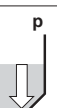
inch	DN	PN	G1	D	d	Mb
RH	25	40	Rd52x1,6	4 31/64"	1 13/16"	1 1/32"
RH	32	40	Rd58x1,6	5 33/64"	2 3/64"	1 17/64"
RH	50	25	Rd78x1,6	6 9/64"	2 3/4"	1 31/32"

- 1 Tube isolating diaphragm for mounting between flange
 - 2 Tube isolating diaphragm with Clamp connection 2"
 - 3 Tube isolating diaphragm with threaded fitting according to DIN 11851
- Specifications in mm or inch

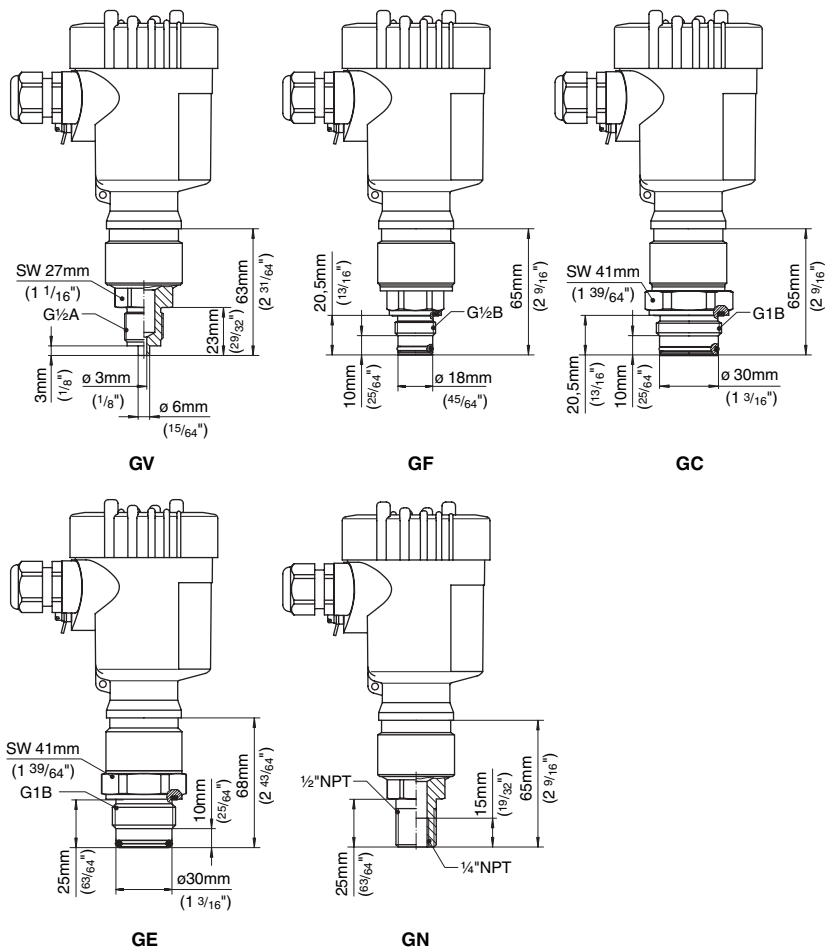
VEGABAR 52



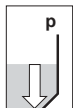
Specifications in mm or inch



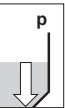
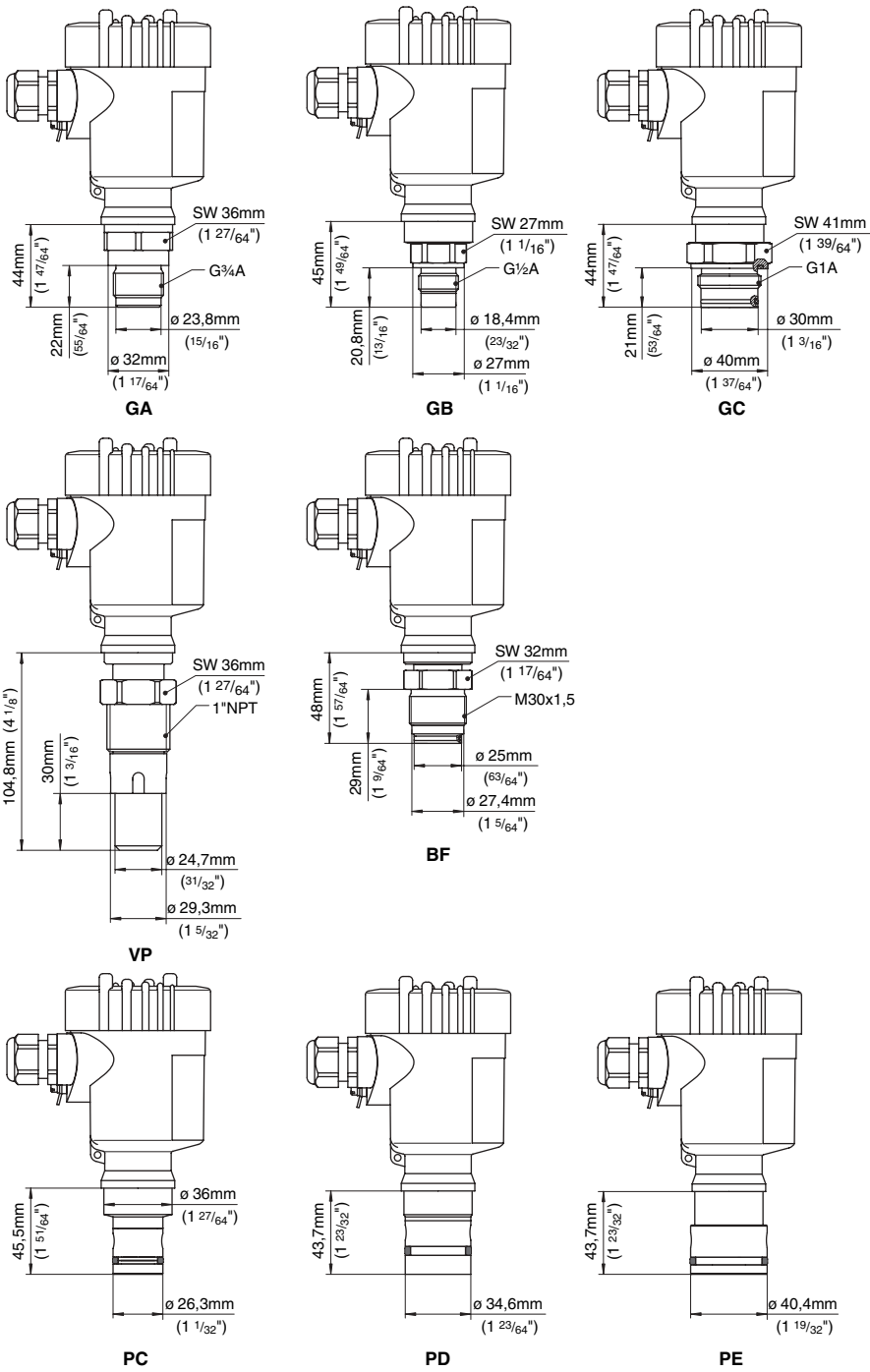
VEGABAR 53



Specifications in mm or inch

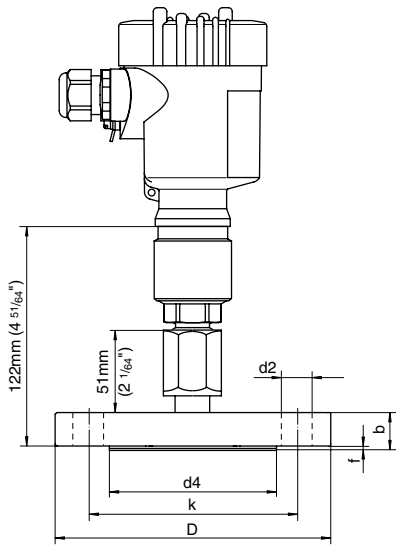


VEGABAR 54

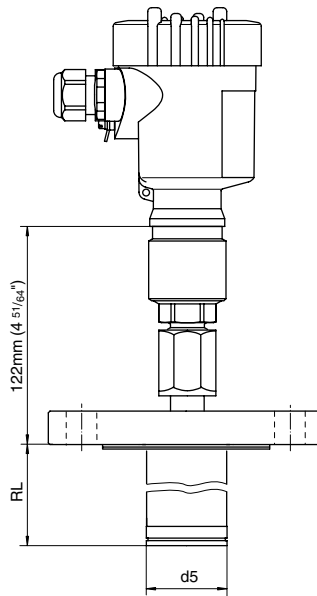


Specifications in mm or inch

VEGABAR 61 – Flange version



ED, FR, EG, FB, FC,
FH, F1, F5, FS, EE



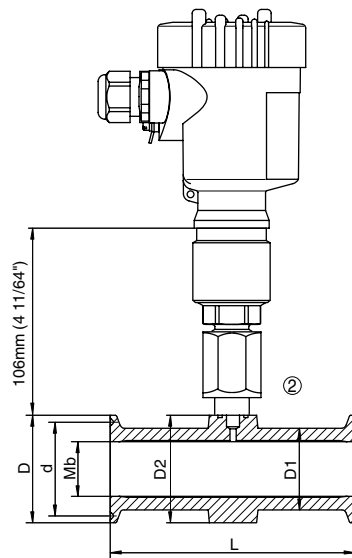
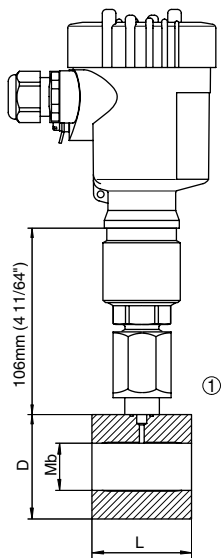
FD, FE, FG, FJ, FK
F7, FQ

①	DN	PN	D	b	k	d2	d4	f	RL	d5	dM ^③
ED	20	40	105	18	75	4xø14	58	2	-	-	-
FR	25	40	115	18	85	4xø14	68	2	-	-	-
EG	32	40	140	18	100	4xø18	78	2	-	-	-
FB	40	40	150	18	110	4xø18	88	3	-	-	-
FC	50	40	165	20	125	4xø18	102	3	-	-	-
FD	50	40	165	20	125	4xø18	102	3	50	48,3	47
FE	50	40	165	20	125	4xø18	102	3	100	48,3	47
FG	50	40	165	20	125	4xø18	102	3	200	48,3	47
FH	80	40	200	24	160	8xø18	138	3	-	-	-
FJ	80	40	200	24	160	8xø18	138	3	50	76	72
FK	80	40	200	24	160	8xø18	138	3	100	76	72
EE	100	40	235	24	190	8xø22	162	3	100	76	72

②	"	lbs	D	b	k	d2	d4	f	RL	d5	dM ^③
F1	1"	150	5"	3/4"	3 7/8"	4xø 5/8"	2"	1/8"	-	-	-
F5	2"	150	6"	3/4"	4 3/4"	4xø 5/8"	3 5/8"	1/8"	-	-	-
F7	2"	150	6"	3/4"	4 3/4"	4xø 5/8"	3 5/8"	1/8"	2"	1,9"	-
FS	3"	150	7 1/2"	3/4"	6"	4xø 5/8"	5"	1/8"	-	-	-
FQ	3"	150	7 1/2"	3/4"	6"	4xø 5/8"	5"	1/8"	6"	2,9"	-

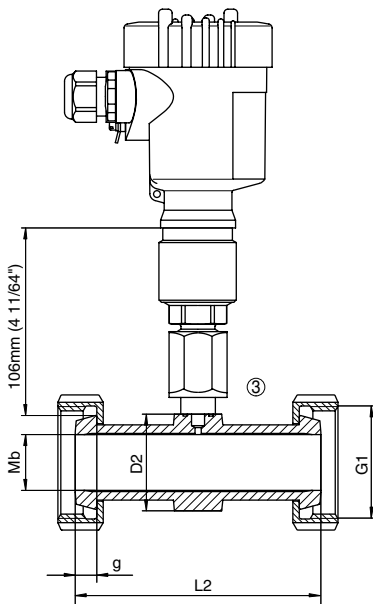
- 1 Flange connection according to DIN 2501
 2 Flange connection according to ANSI B 16.5
 3 Diaphragm diameter
 Specifications in mm or inch

VEGABAR 61 – Tube isolating diaphragm



mm	DN	PN	D	Mb	L
RA	25	6...400	63	28,5	60
inch	DN	PN	D	Mb	L
RA	25	6...400	2 31/64"	1 1/8"	2 23/64"

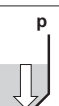
mm	DN	PN	L	D	d	D1	D2	Mb
RH	2"	40	156	64	56,3	56	75	48
inch	DN	PN	L	D	d	D1	D2	Mb
RH	2"	40	6 9/64"	2 33/64"	2 7/32"	2 13/64"	2 51/64"	1 57/64"



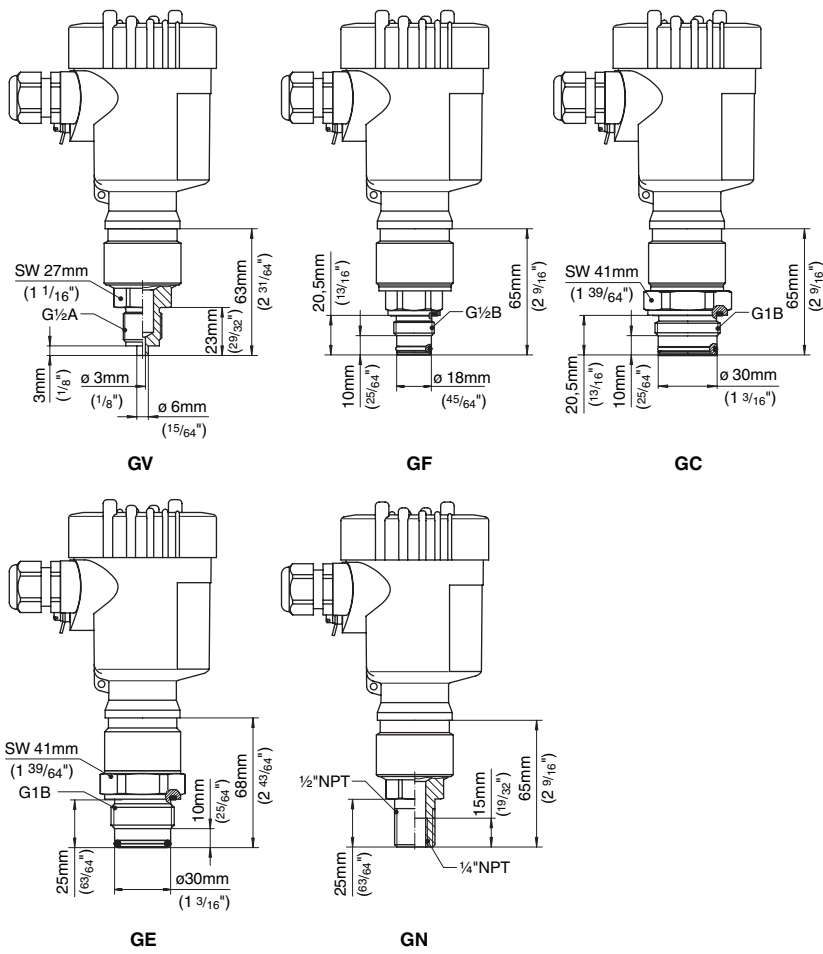
mm	DN	PN	G1	L2	D2	Mb
RT	25	40	Rd52x1,6	114	46	26
RQ	32	40	Rd58x1,6	140	52	32
RW	50	25	Rd78x1,6	156	70	50

inch	DN	PN	G1	D	d	Mb
RH	25	40	Rd52x1,6	4 31/64"	1 13/16"	1 1/32"
RH	32	40	Rd58x1,6	5 33/64"	2 3/64"	1 17/64"
RH	50	25	Rd78x1,6	6 9/64"	2 3/4"	1 31/32"

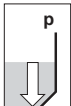
- 1 Tube isolating diaphragm for mounting between flange
 - 2 Tube isolating diaphragm with Clamp connection 2"
 - 3 Tube isolating diaphragm with threaded fitting according to DIN 11851
- Specifications in mm or inch



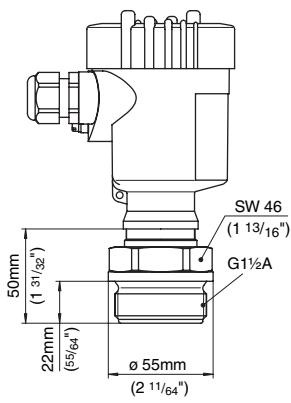
VEGABAR 63



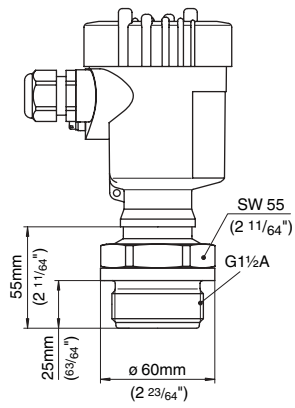
Specifications in mm or inch



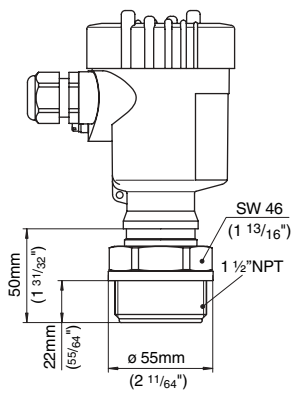
VEGABAR 64



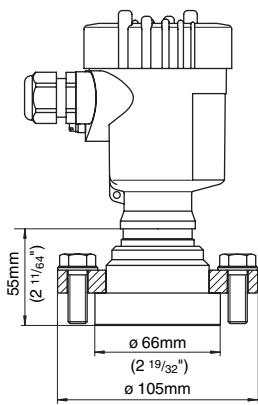
GG



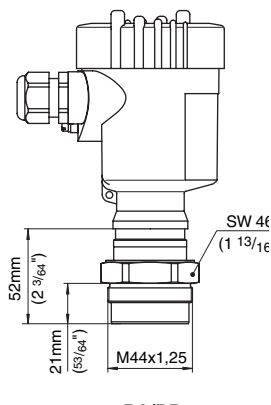
GW



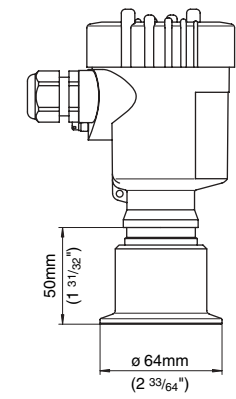
GN



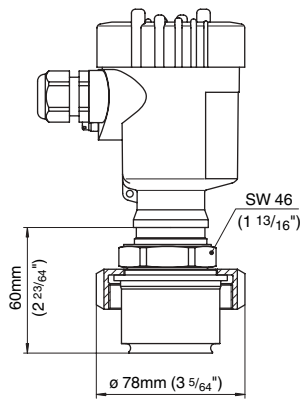
AA



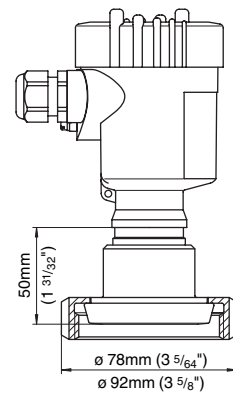
BA/BB



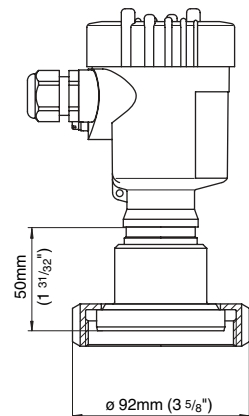
CA



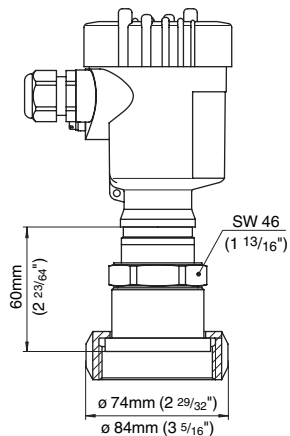
LA



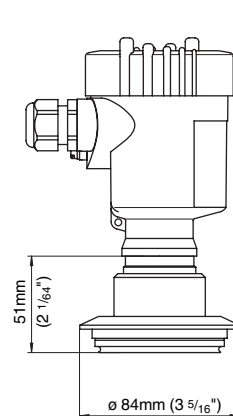
RA/RB



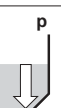
RD



RS/RT

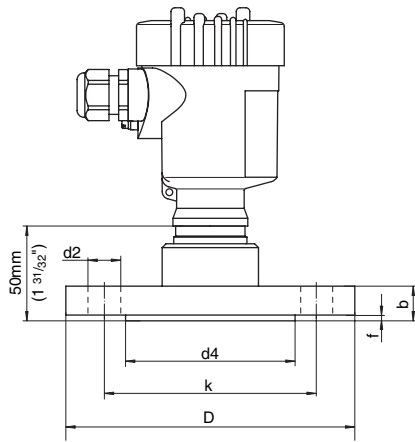


TA



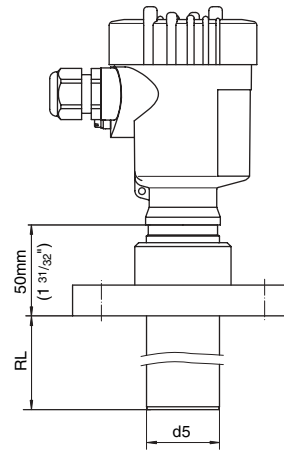
Specifications in mm or inch

VEGABAR 64 – Flange version



EA, FB, FE, FK, FH, FI, EC

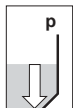
	mm	DN	PN	D	b	k	d2	d4	f
①	EA	40	40	150	18	110	4xø18	88	3
	FB	50	40	165	20	125	4xø18	102	3
	FE	80	40	200	24	160	8xø18	138	3
	FK	100	16	220	20	180	8xø18	158	3
	inch								
	EA	40	40	5 29/32"	45/64"	4 21/64"	4xø 45/64"	3 15/32"	1/8"
	FB	50	40	6 1/2"	25/32"	4 59/64"	4xø 45/64"	4 1/64"	1/8"
	FE	80	40	7 7/8"	15/16"	6 19/64"	8xø 45/64"	5 7/16"	1/8"
	FK	100	16	8 21/32"	25/32"	7 3/32"	8xø 45/64"	6 7/32"	1/8"
②	FH	2" 150 lbs		6"	3/4"	4 3/4"	4xø 5/8"	3 5/8"	1/8"
	FI	3" 150 lbs		7 1/2"	15/16"	6"	4xø 5/8"	5"	1/8"
	EC	4" 150 lbs		9"	15/16"	7 1/2"	4xø 5/8"	7 7/8"	1/8"



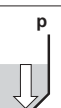
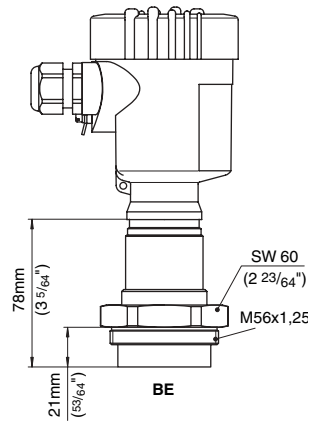
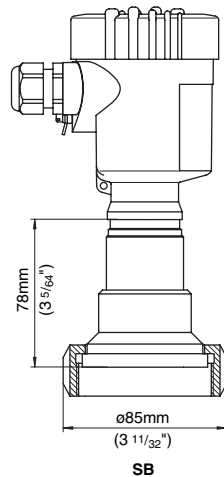
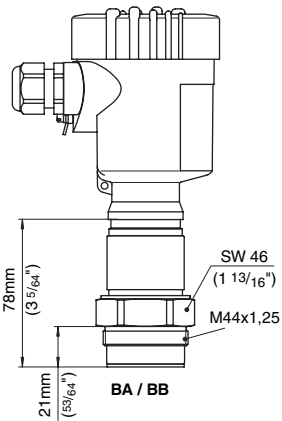
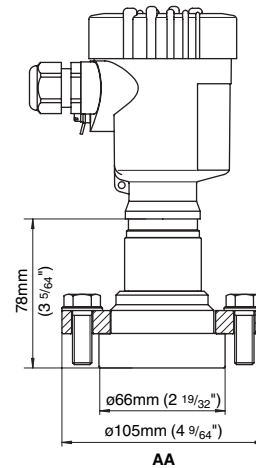
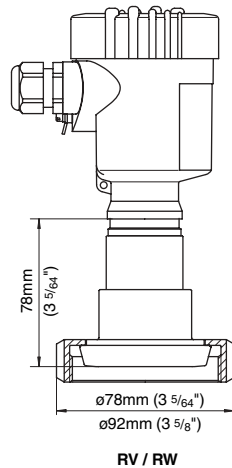
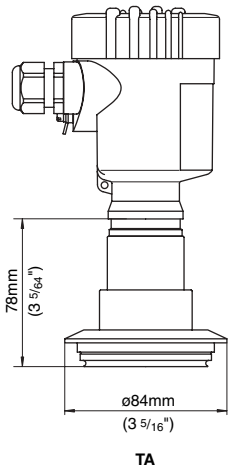
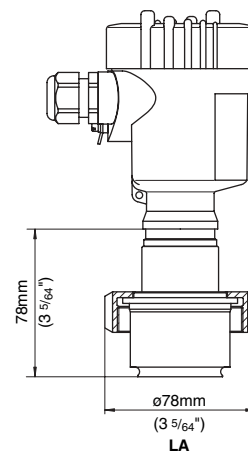
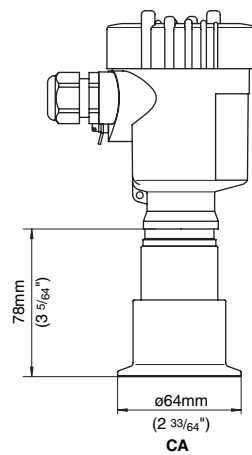
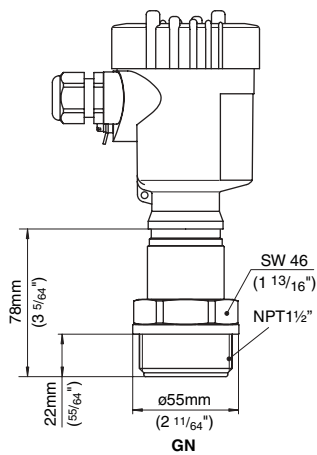
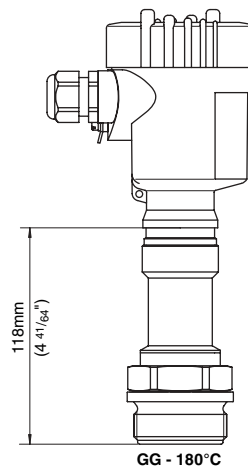
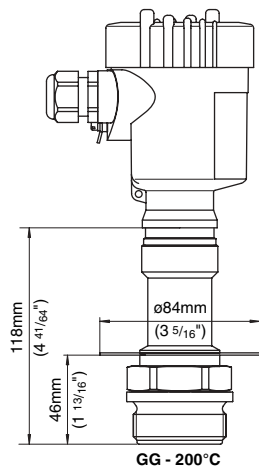
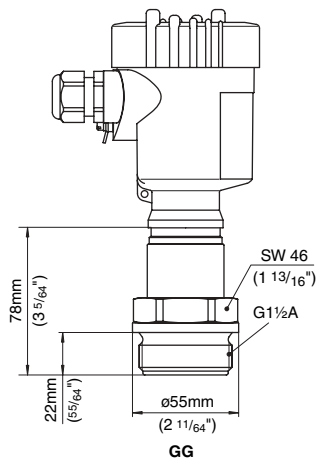
EB, ED, EE, TK, IH, TV, TW

	mm	DN	PN	D	b	k	d2	d4	f	RL	d5
①	EB	40	40	150	18	110	4xø18	88	3		38
	ED	50	40	165	20	125	4xø18	102	3		38
	EE	80	40	200	24	160	8xø18	138	3		38
	TK	100	16	220	20	180	8xø18	158	3		38
	inch										
	EB	40	40	5 29/32"	45/64"	4 21/64"	4xø 45/64"	3 15/32"	1/8"		1 1/2"
	ED	50	40	6 1/2"	25/32"	4 59/64"	4xø 45/64"	4 1/64"	1/8"		1 1/2"
	EE	80	40	7 7/8"	15/16"	6 19/64"	8xø 45/64"	5 7/16"	1/8"		1 1/2"
	TK	100	16	8 21/32"	25/32"	7 3/32"	8xø 45/64"	6 7/32"	1/8"		1 1/2"
②	IH	2" 150 lbs		6"	3/4"	4 3/4"	4xø 3/4"	3 5/8"	1/8"		1 1/2"
	TV	3" 150 lbs		7 1/2"	15/16"	6"	4xø 3/4"	5"	1/8"		1 1/2"
	TW	4" 150 lbs		9"	15/16"	7 1/2"	4xø 3/4"	6 3/16"	1/8"		1 1/2"

- 1 Flange connection according to DIN 2501
 - 2 Flange connection according to ANSI B 16.5
 - 3 Flange connection according to DIN 2501 with extension ø d5 and length RL
- Specifications in mm or inch



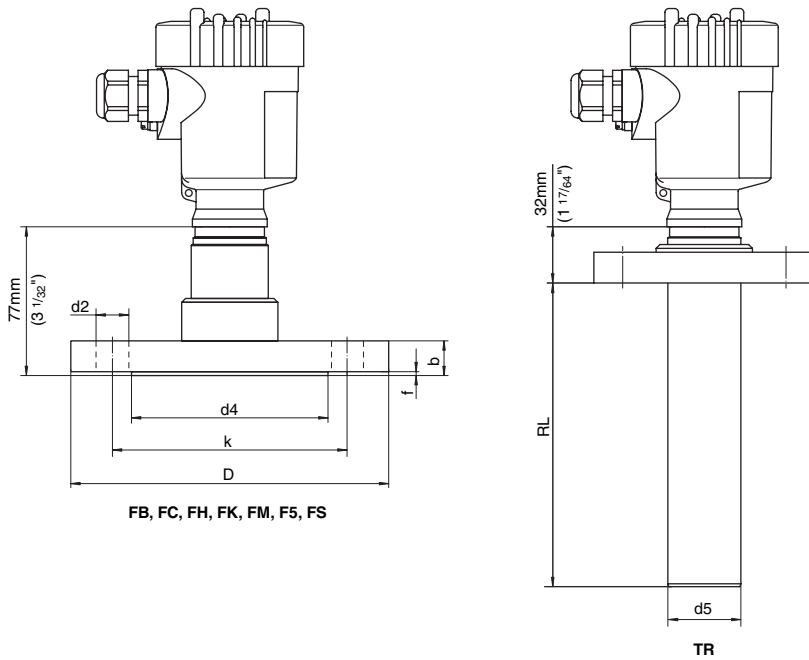
VEGABAR 65



Specifications in mm or inch

Pressure – Process pressure/Hydrostatic

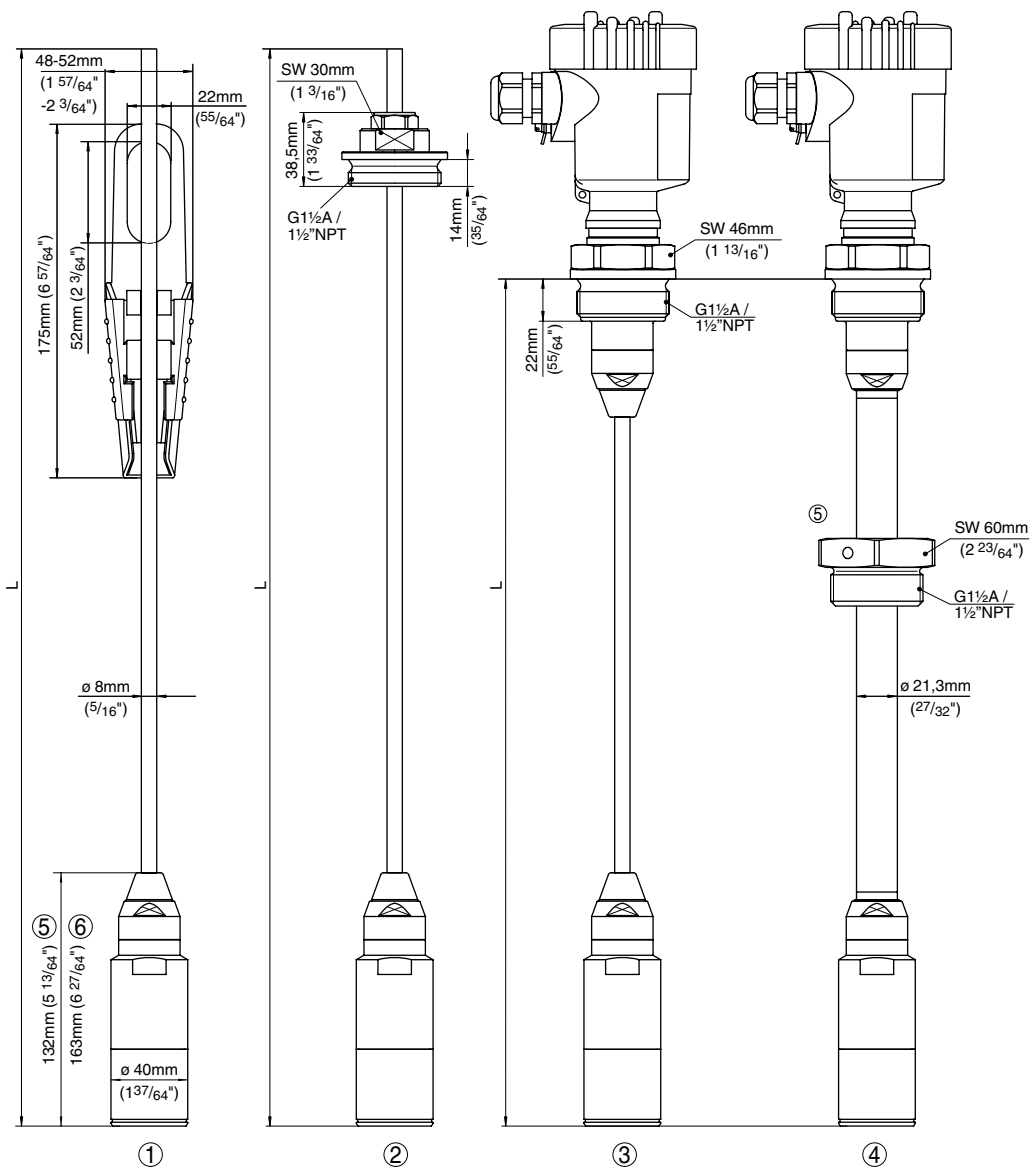
VEGABAR 65 – Flange version



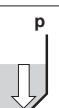
	mm	DN	PN	D	b	k	d2	d4	f	RL	d5	
	FB	40	40	150	18	110	4xø18	88	3	-	-	
	FC	50	40	165	20	125	4xø18	102	3	-	-	
①	FH	80	40	200	24	160	8xø18	138	3	-	-	
	FK	100	40	235	24	190	8xø22	162	3	-	-	
	FM	150	40	300	28	250	8xø26	218	3	-	-	
③	TR	50	40	165	20	125	4xø18	102	3	④	38	
	inch											
	FB	40	40	5 29/32"	45/64"	4 21/64"	4xø 45/64"	3 15/32"	1/8"	-	-	
	FC	50	40	6 1/2"	25/32"	4 59/64"	4xø 45/64"	4 1/64"	1/8"	-	-	
	FH	80	40	7 7/8"	15/16"	6 19/64"	8xø 45/64"	5 7/16"	1/8"	-	-	
	FK	100	40	9 1/4"	15/16"	7 31/64"	8xø 55/64"	6 3/8"	1/8"	-	-	
	FM	150	40	11 3/4"	1 7/64"	9 27/32"	8xø 1 1/32"	8 37/64"	1/8"	-	-	
	TR	50	40	6 1/2"	25/32"	4 59/64"	8xø 45/64"	4 1/64"	1/8"	④	1 1/2"	
	②											
	F5	2" 150 lbs		6"	3/4"	4 3/4"	4xø 3/4"	3 5/8"	1/8"	-	-	
	FS	3" 150 lbs		7 1/2"	15/16"	6"	4xø 3/4"	5"	1/8"	-	-	

- 1 Flange connection according to DIN 2501
 2 Flange connection according to ANSI B 16.5
 3 Flange connection according to DIN 2501 with extension ø d5 and length RL
 Specifications in mm or inch

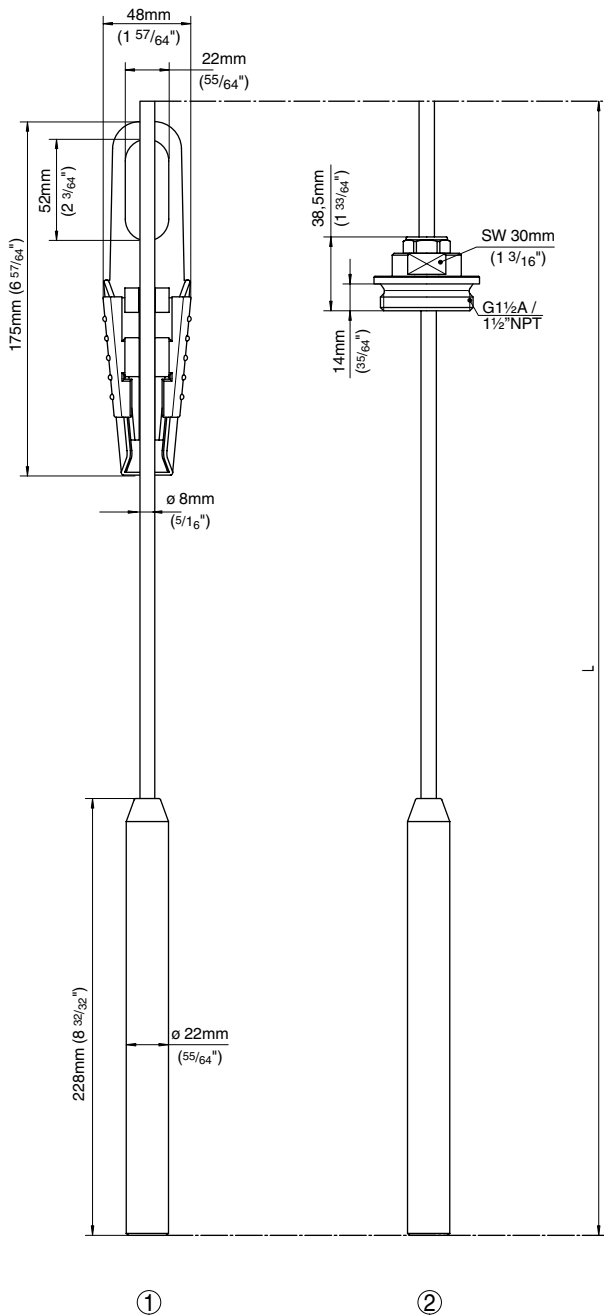
VEGABAR 66, 67



- 1 With straining clamp
 - 2 With threaded fitting, G1½A (1½ NPT)
 - 3 With thread G1½A (1½ NPT) and suspension cable
 - 4 With thread G1½A (1½ NPT) and connection tube
 - 5 Length VEGABAR 66 transmitter
 - 6 Length VEGABAR 67 transmitter
- Specifications in mm or inch

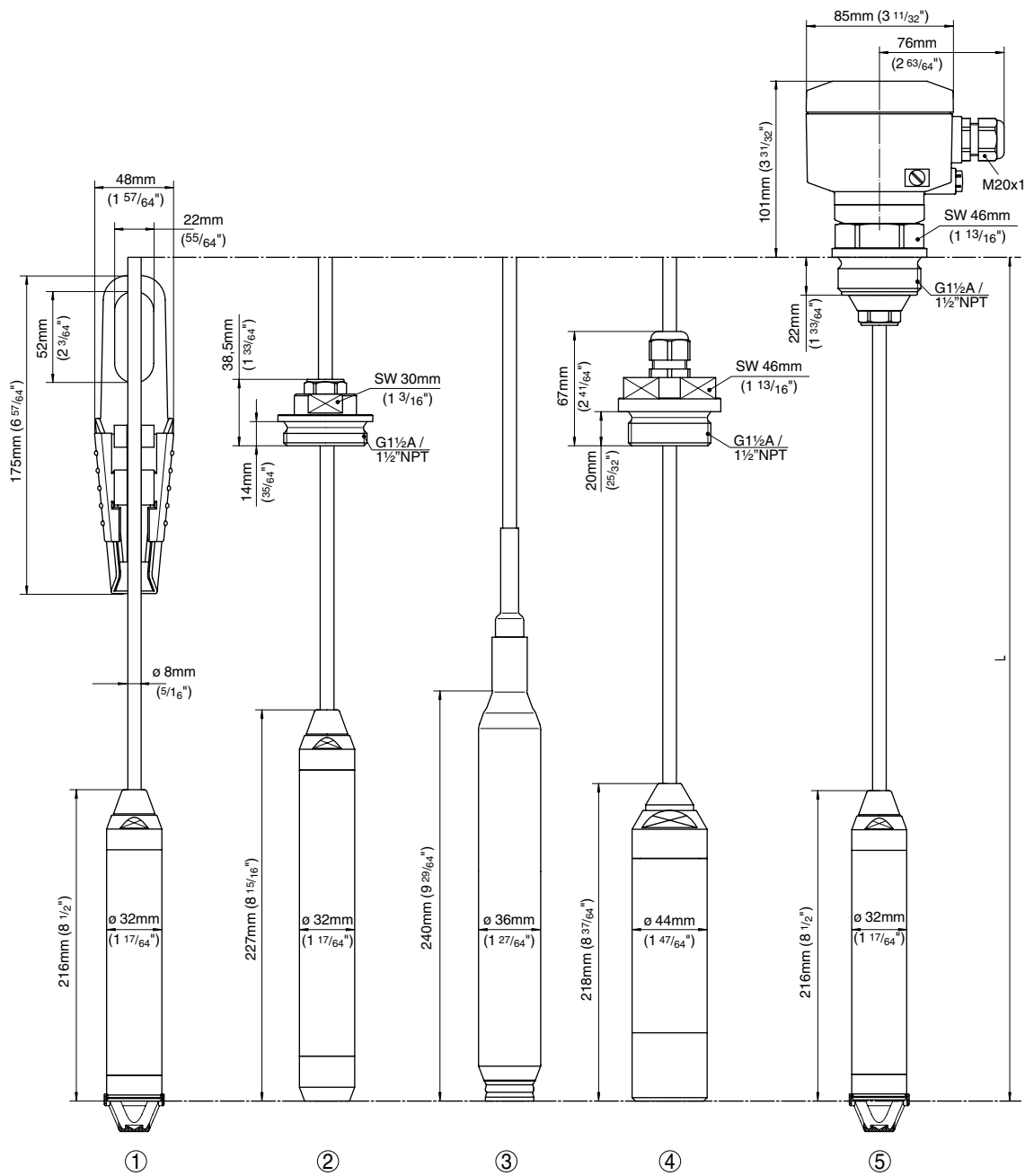


VEGAWELL 51

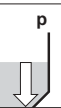


- 1 With straining clamp
 - 2 With threaded fitting unassembled, G1 1/2 A (1 1/2" NPT)
- Specifications in mm or inch

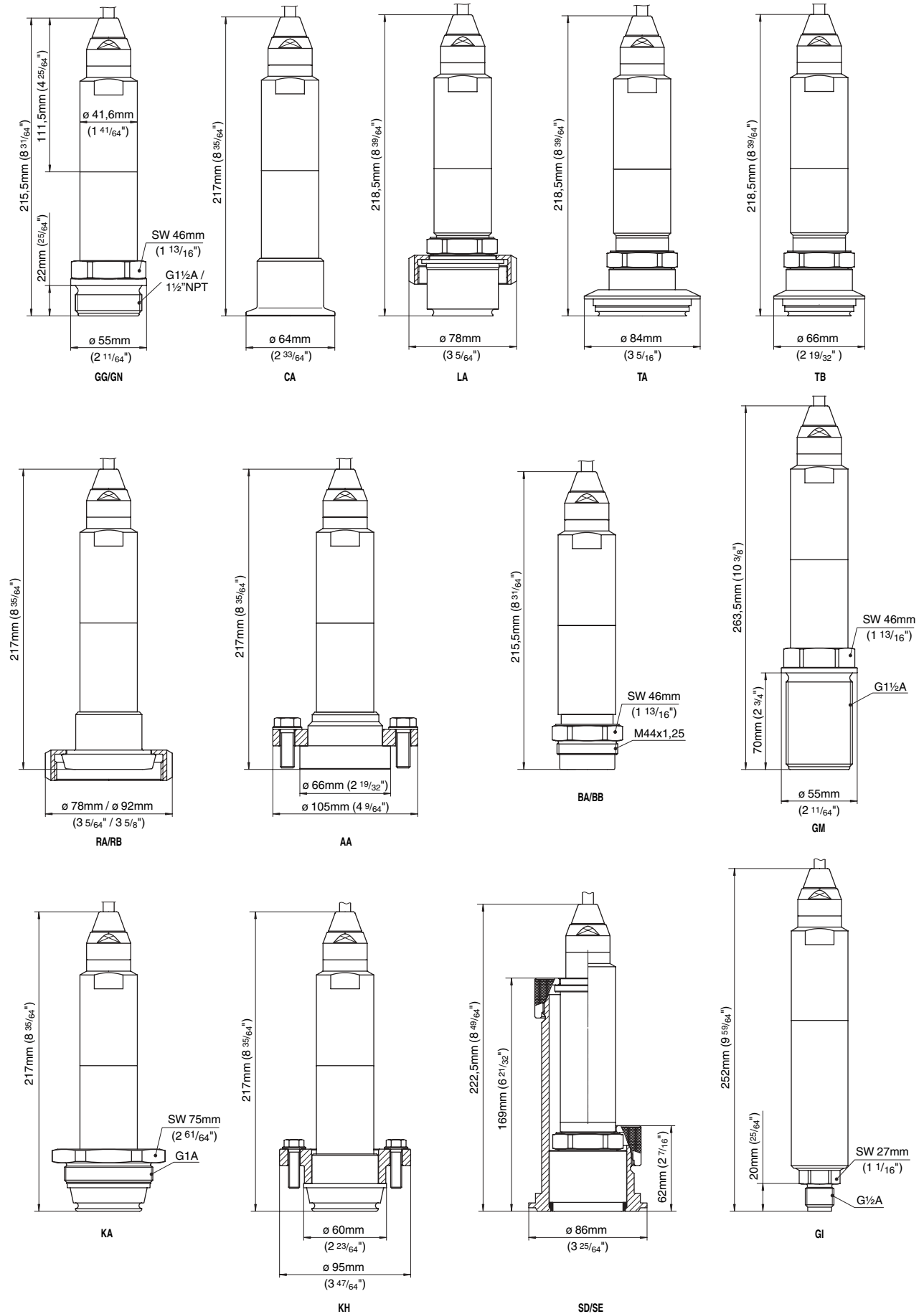
VEGAWELL 72



- 1 With straining clamp
 - 2 With threaded fitting unassembled, G1 1/2 A (1 1/2" NPT)
 - 3 With PE plastic coating
 - 4 Transmitter and threaded fitting of PVDF
 - 5 With thread G1 1/2 A (1 1/2" NPT) and plastic housing
- Specifications in mm or inch

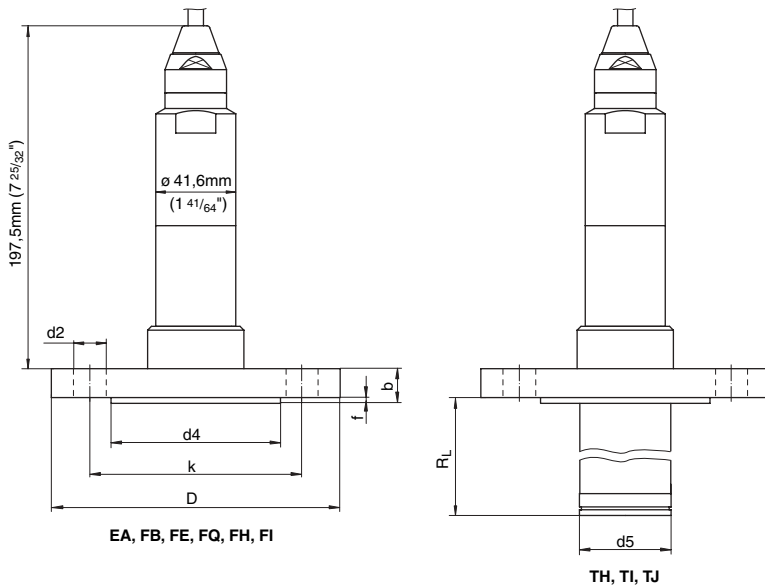


VEGABAR 74

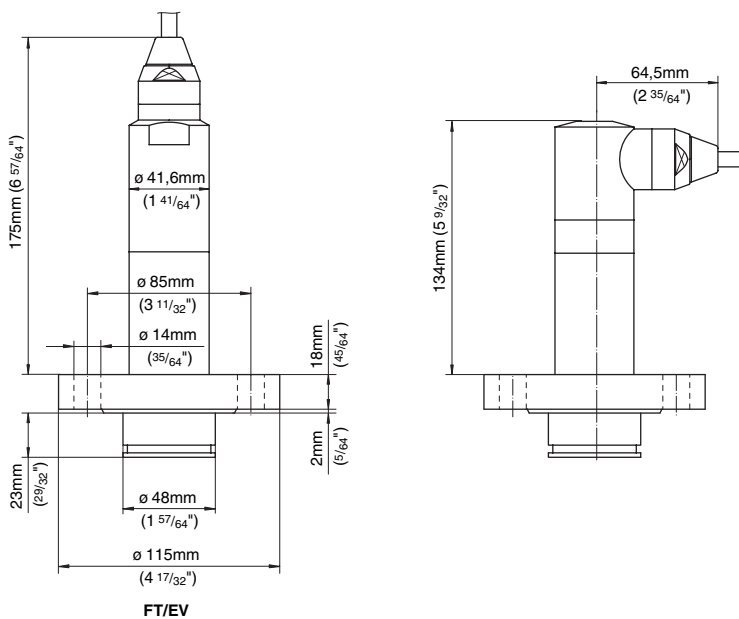


Specifications in mm or inch

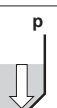
Instruments with flange connection



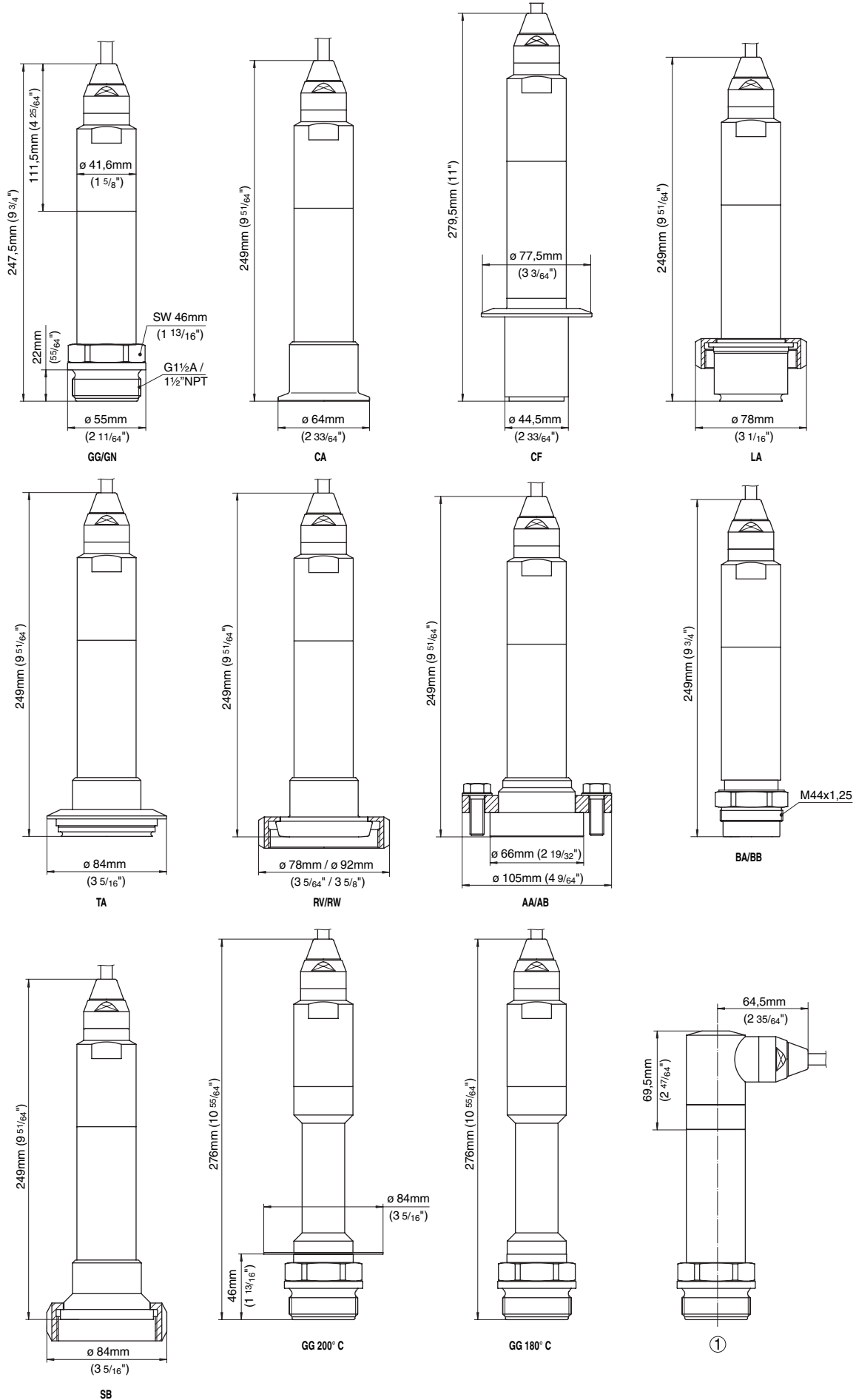
	mm	DN	PN	D	b	k	d2	d4	f	RL	d5
	EA	40	40	150	18	110	4xØ18	88	3	-	-
①	FB	50	40	165	20	125	4xØ18	102	3	-	-
	FE	80	40	200	24	160	8xØ18	138	3	-	-
	TH	40	40	150	18	110	4xØ18	88	3		38
②	TI	150	40	300	28	250	8xØ26	218	3	④	38
	TJ	50	40	165	20	125	4xØ18	102	3		38
	inch										
	EA	40	40	5 29/32"	45/64"	4 21/64"	4xØ 45/64"	3 15/32"	1/8"	-	-
	FB	50	40	6 1/2"	25/32"	4 59/64"	4xØ 45/64"	4 1/64"	1/8"	-	-
	FE	80	40	7 7/8"	15/16"	6 19/64"	8xØ 45/64"	5 7/16"	1/8"	-	-
	TH	40	40	5 29/32"	45/64"	4 21/64"	4xØ 45/64"	3 15/32"	1/8"		1 1/2"
	TI	50	40	6 1/2"	25/32"	4 59/64"	4xØ 45/64"	4 1/64"	1/8"	④	1 1/2"
	TJ	80	40	7 7/8"	15/16"	6 19/64"	8xØ 45/64"	5 7/16"	1/8"		1 1/2"
	FQ	1 1/2"	150 lbs	5"	11/16"	3 7/8"	4xØ 5/8"	2 7/8"	1/8"	-	-
③	FH	2"	150 lbs	6"	3/4"	4 3/4"	4xØ 3/4"	3 5/8"	1/8"	-	-
	FI	3"	150 lbs	7 1/2"	15/16"	6"	4xØ 3/4"	5"	1/8"	-	-



- 1 Flange connection according to DIN 2501
 - 2 Flange connection according to ANSI B 16.5
 - 3 Diaphragm diameter
- Specifications in mm or inch

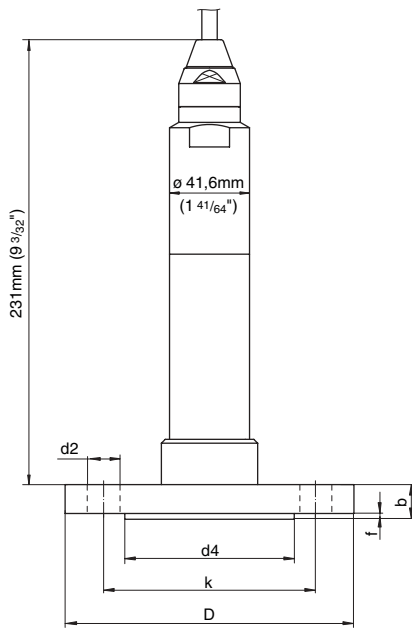


VEGABAR 75



Specifications in mm or inch

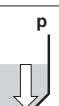
Instruments with flange connection



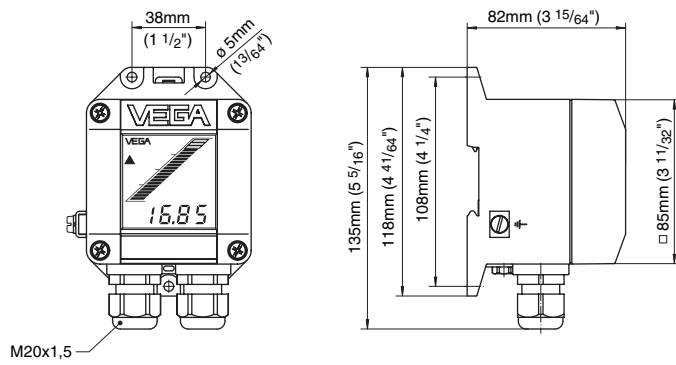
FB, FC, FH, FK, FQ, F5, FS

mm	DN	PN	D	b	k	d2	d4	f
FB	40	40	150	18	110	4xø18	88	3
FC	50	40	165	20	125	4xø18	102	3
FH	80	40	200	24	160	8xø18	138	3
FK	100	40	200	24	160	8xø18	138	3
inch								
① FB	40	40	5 29/32"	45/64"	4 21/64"	4xø 45/64"	3 15/32"	1/8"
FC	50	40	6 1/2"	25/32"	4 59/64"	4xø 45/64"	4 1/64"	1/8"
FH	80	40	7 7/8"	15/16"	6 19/64"	8xø 45/64"	5 7/16"	1/8"
FK	100	40	7 7/8"	15/16"	6 19/64"	8xø 45/64"	5 7/16"	1/8"
FQ	1 1/2" 150 lbs		5"	1 1/16"	3 7/8"	4xø 5/8"	2 7/8"	1/8"
② F5	2" 150 lbs		6"	3/4"	4 3/4"	4xø 5/8"	3 5/8"	1/8"
FS	3" 150 lbs		7 1/2"	3/4"	6"	4xø 5/8"	5"	1/8"

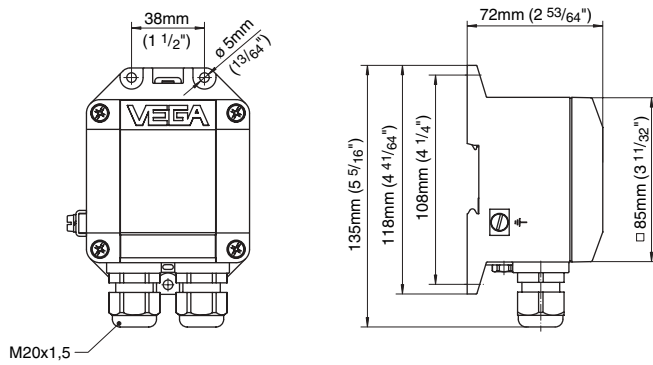
- 1 Flange connection according to DIN 2501
 - 2 Flange connection according to ANSI B 16.5
- Specifications in mm or inch



VEGADIS 12



VEGABOX 01



VEGABOX 01 – Protective cover

