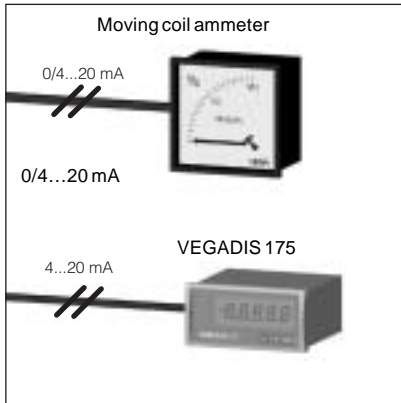


System components – Indication and adjustment

Application examples	_____	216
Adjustment and visualisation software	_____	217
VEGADIS	_____	221
Dimensions	_____	224

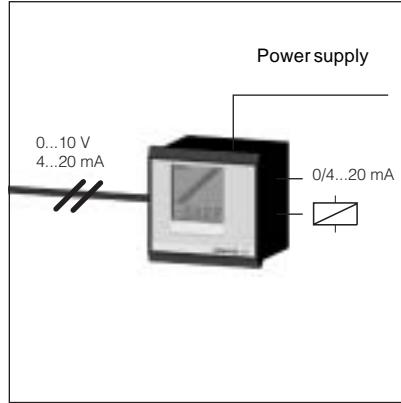


Application examples: System components - Indication and adjustment



Moving coil ammeter and VEGADIS 175 with digital indication without external energy

Digital and analogue indicating instruments for connection to the 4...20 mA power supply cable of compact sensors or 0/4...20 mA current outputs



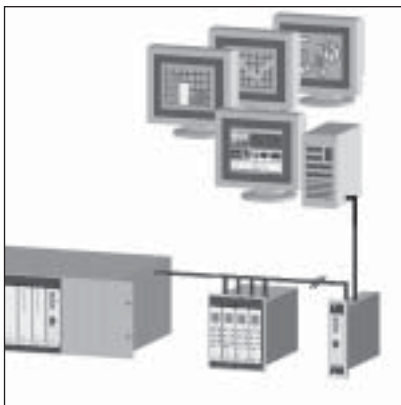
VEGADIS 371 with digital and quasi analogue indication

Digital indicating instrument with integrated level switches, pump changeover function and current output for connection of an individual sensor with analogue signal transmission (active and passive)



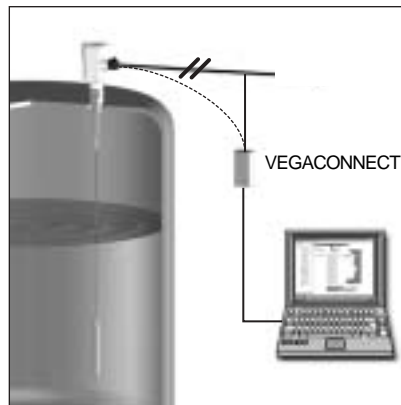
VEGADIS 11 with digital indication, without external energy

Digital indicating instrument for connection to the 4...20 mA power supply cable of compact sensors



Visualisation, archive, remote enquiry, tank management with Visual VEGA

Adjustment of the field devices with PACTware™. Tank management with Visual VEGA.



Adjustment with universal adjustment software PACTware™

Connection via VEGACONNECT on the 4...20 mA cable or directly on the sensor.



Indication and adjustment integrated in the sensor or remote in VEGADIS 61

Indication and adjustment.



Indicating and adjustment module PLICSCOM

Menu-driven adjustment with user-friendly clear text indication.

VEGACONNECT 3

Interface adapter between PC and communication-capable VEGA instruments

Interface adapter between VEGA instruments and the RS232 interface of a PC in conjunction with the adjustment software PACTware™ or visualisation software Visual VEGA (VV)



Interface PC side : RS232
 Power supply : via the RS232 interface
 Approvals : ATEX II (1) G D [EEx ia] IIC



Version

X for instruments with HART and PC bus interface

CONNECT3.

- For operation on a USB interface, a USB/RS232 adapter cable (article no. 2.26900) is available.
- For connection of VEGACONNECT 3 to a modem, the modem connection cable (special cable), article no. MODEM.KX will be required.



DTM Collection and PACTware(TM)

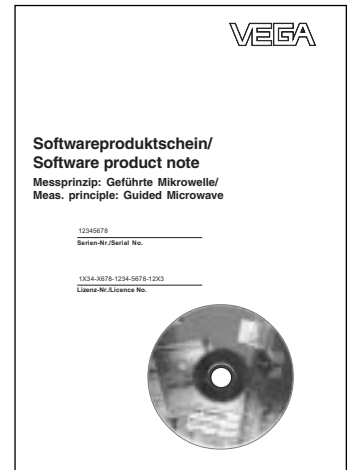
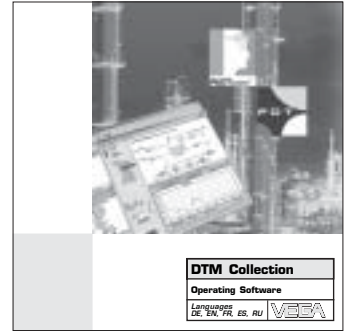
Open adjustment software with instrument description inclusive adjustment surface according to the FDT standard

In conjunction with an appropriate DTM, PACTware™ is the adjustment software for configuration, parameter adjustment, documentation and diagnostics.

- a configuration tool for all communication-capable VEGA instruments
- manufacturer and fieldbus-independent
- unique, standardized interface according to FDT specification 1.2
- DTM basic version for adjustment of all parameters of an instrument, without project saving and project documentation
- free-of-charge download of this basic version also via www.vega.com (services/downloads/software)
- licensed, professional version inclusive project documentation and project saving

System requirements: Pentium, 500 MHz or higher, 128MB RAM
 200 MB free space
 Windows 2000/ME/XP/NT 4.0 (Service Pack 6)
 Internet Explorer 5.0 or higher

Communication DTM: RS 232, Modem, VEGACONNECT
 VEGACOM 558 - Ethernet, VEGALOG
 VEGAMET 624/625, VEGASCAN 693



Software

- S** Basic version without project saving and project doc.
- PS** License VEGAPULS series 40/50/60
- FX** License VEGAFLEX series 50/60
- BR** License VEGABAR series 40/50/60/70, D80 series, VEGAWELL
- SN** License VEGASON series 50/60
- CL** License VEGACAL series 60
- MT** License VEGAMET624/625, VEGASCAN693, VEGALOG 571
- XL** Consol.license VEGAPULS,FLEX,SON,BAR,CAL,MET,SCAN,LOG

PACTWARE.



Visual VEGA PRO

Visualisation and archive program for VEGA instruments

Visualisation, archive, signalling, remote enquiry, Intranet/Internet

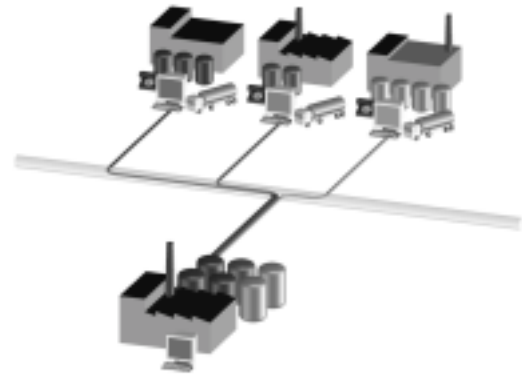
- presentation of the current measured values in the photographed plant picture, as bar graph and in tabular form
- presentation of the history data as line graph and charts incl. export function
- message and failure lists incl. acknowledgement
- the screen division (individual configuration) can be saved as layout
- automatic exporting of the current measured values into an ASCII file, the archive values into an ASCII or MS ACCESS file
- processing of the measured values into HTML format for standard browsers
- automatic transmission of measured values and messages via e-mail, SMS or fax
- unlimited presentation of measured values on as many PCs within a network.

Enquiry of the measured values: automatically via RS 232, USB, Ethernet TCP/IP, modem (analogue, GSM)

System requirements: Pentium, 1 GHz, 128 MB RAM, screen resolution min. 800 x 600, Windows 2000/XP

Interfaces: depending on the configuration of Visual VEGA
RS 232 interface, USB via adapter cable art. no. 2.26900, ISDN card, modem (analogue, GSM), network card

Optionally required: Internet access, e-mail provider, WinFax Pro



SOFTWARE-VV.M1



Visual VEGA LT

Visualisation and archive program for VEGA instruments

Visualisation, archive, signalling, remote enquiry, Intranet/Internet

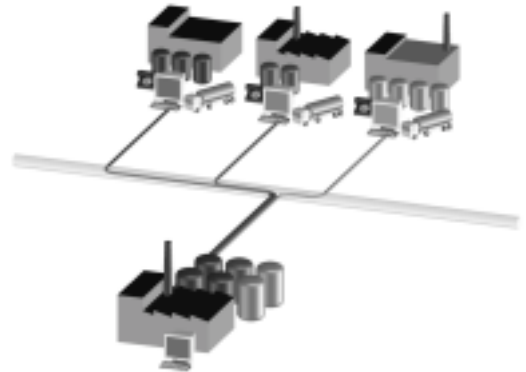
- presentation of the current measured values in the photographed plant picture, as bar graph and in tabular form
- presentation of the history data as line graph and charts incl. export function
- message and failure lists incl. acknowledgement
- the screen division can be configured individually and saved as layout
- automatic exporting of the current measured value into an ASCII file, the archive values into an ASCII or MS ACCESS file
- processing of the measured values into HTML format for standard browsers
- automatic transmission of measured values and messages via e-mail, SMS or fax
- presentation of max. 16 measured values on as many PCs within a network.

Enquiry of the measured values: automatically via RS 232, USB, Ethernet TCP/IP, modem (analogue, GSM)

System requirements: Pentium, 1 GHz, 128 MB RAM, screen resolution min. 800 x 600, Windows 2000/XP
 Internet Explorer 5.0 or higher, TCP/IP protocol

Interfaces: depending on the configuration of Visual VEGA

Optionally required: RS 232 interface, USB via adapter cable art. no. 2.26900, ISDN card, modem (analogue, GSM), network card Internet access, e-mail provider, WinFax Pro



SOFTWARE-VV.S1



VEGADIS 11

Digital indicating instrument without external energy

For separate measured value indication

- for 4...20 mA circuits
- wall or rail mounting
- LC display for digital and quasi-analogue display of measured values
- indicating range: -9999...9999 with individually adjustable decimal point
- protection: IP67



Approval

- .X without
- EX.X ATEX II 2 G EExia IIC T6

DIS11

VEGADIS 12

Adjustment/indication without external energy for pressure transmitters

Use with VEGAWELL 72 HART, VEGABAR 74/75 pressure transmitters

- with high quality ventilation filter
- wall or rail mounting
- LC display for digital and quasi-analogue presentation of measured values
- indication range: -9999...9999 with individually adjustable decimal point
- protection: IP67



Approval

- .X without
- EX.X ATEX II 2G EExia IIC T6

Adjustment unit for pressure transmitter

- B mounted

Display

- X without
- A mounted

Protective cover

- X without
- W with

DIS12



VEGADIS 61

External indicating and adjustment unit

Suitable for external indication of measured values and adjustment of the sensors

- digital and quasi-analogue indication of measured values
- can be mounted up to 25 m away from the sensor
- inclusive PLICSCOM
- instrument from the plics® family



Approval

- XX** without
- CX** ATEX II 1G, 2G, EEx ia IIC T6
- CI** IEC Ex ia IIC T6

Housing / Protection

- K** Plastic / IP66
- V** Stainless steel 316L / IP66

Cable entry / Plug connection

- M** M20x1.5 / without
- N** 1/2NPT / without

Mounting / Material

- A** for wall mounting / aluminium
- B** for wall mounting / stainless steel
- C** for rail mounting / plastic
- D** for tube mounting / stainless steel

DIS61. [] [] [] [] []

Holder for wall and tube mounting (article no. BARMONT.C), see chapter "Hydrostatic - Accessory".

PLICSCOM

Pluggable indicating and adjustment tool for plics sensors

Suitable for VEGAFLEX series 60, VEGABAR series 60 and 50, VEGAPULS series 60, VEGASON series 60 and VEGACAL series 60

- DOT matrix display with 4 keys for adjustment
- clear text indication with graphic support
- indication of trend and echo curves
- pluggable in 90° steps



Housing cover

- K** of plastic
- A** of aluminium
- V** of stainless steel 316L
- X** without

Version

- X** standard
- B** with background light
- H** with heating

PLICSCOM. [] []

VEGADIS 175

Digital indicating instrument without external energy for panel mounting (96 x 48 mm)

For separate indication of measured values

- for 4...20 mA circuits
- 5-digit scalable LC display
- adjustable decimal point
- compact housing

Indicating range : -19999...99999
 Height of digits : 17 mm
 Protection : IP65



Approval

.X without

EX.X ATEX II 1 G EEx ia IIC T6



DIS175

VEGADIS 371

Digital indicating instrument

For separate indication of measured values and control functions

- for panel mounting (96 x 96 mm) or surface mounting
- LC display for digital and quasi-analogue presentation of measured values
- adjustable integration time, fault monitoring and pump change-over function

Input : 4...20 mA (active or passive)
 : 0...10 V
 Output : 0/4...20 mA
 Indication range : -9999...9999
 Protection : IP40
 Operating voltage : 20...250V AC, 20...250V DC



Approval

.X without

EX0.A ATEX II (1) G [EEx ia] IIC + WHG

Relay outputs

X without

A 1 module (2 relays) with adjustable switching hyster.

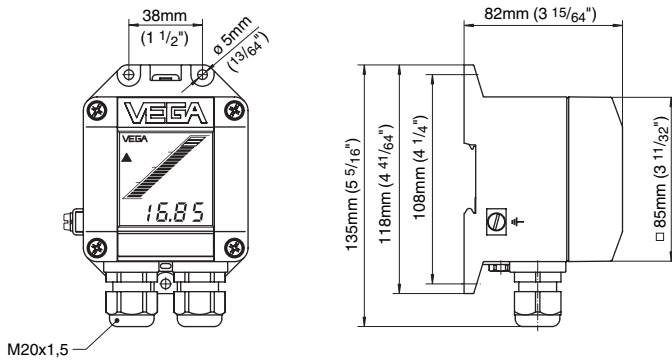
B 2 modules (4 relays) with adjustable switching hyster.



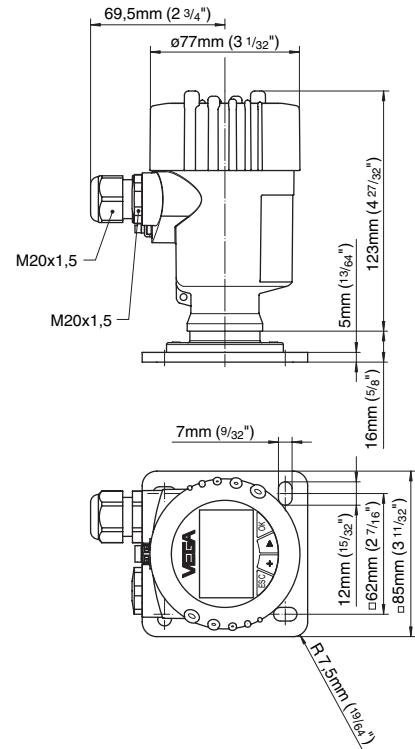
DIS371



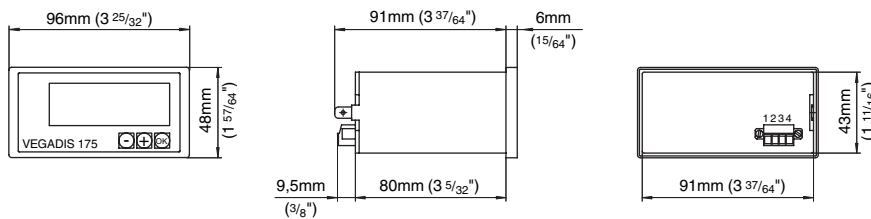
VEGADIS 11 and 12



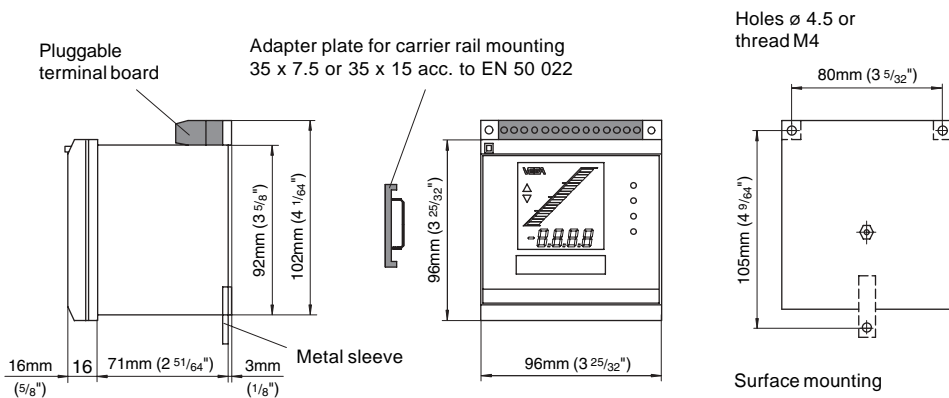
VEGADIS 61



VEGADIS 175



VEGADIS 371



- Iso housing IP 65 for VEGADIS 371 see chapter "Signal conditioning instruments and communication"