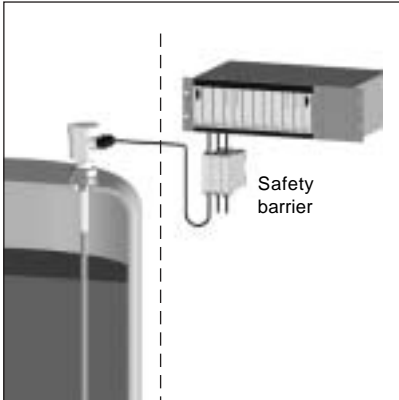


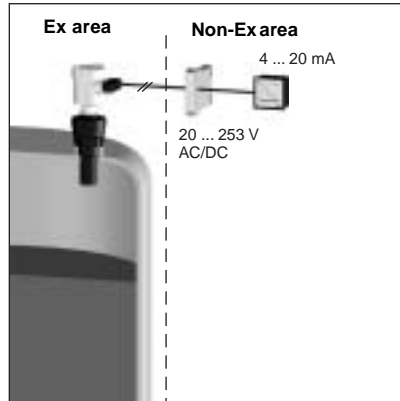
Application examples: System components – Separators

Safety barrier



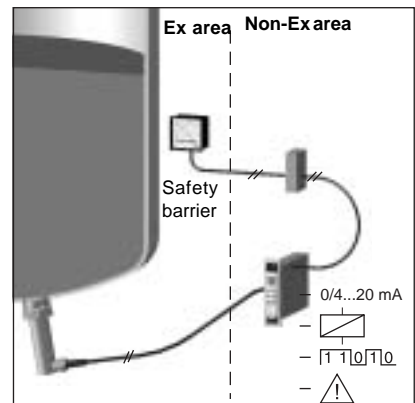
Electrode with safety barrier for individual signal conditioning instruments without own Ex approval

Ex separator



Ex separator VEGATRENN 149A Ex for intrinsically safe power supply of 4...20 mA sensors

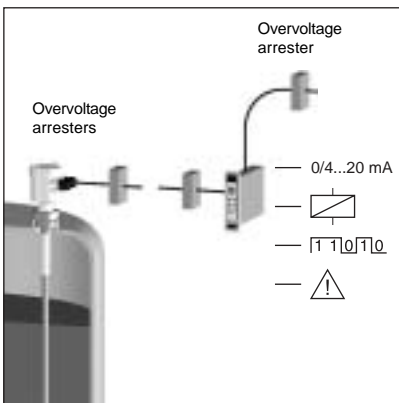
Safety barrier



Safety barrier for connection of an indicating instrument in Ex area

Application examples: Protective instruments

Overvoltage arresters



Overvoltage arresters in the connection cable to the sensor and in the power supply to the signal conditioning instrument

Threaded overvoltage arrester



Overvoltage protection for easy mounting in the free cable entry of the sensor



VEGATRENN 149A Ex

Ex-separator for 4...20 mA HART® sensors

For galvanically separated voltage supply of Ex approved 4...20 mA sensors.

- HART® transmissible on the output side
- sockets in the front for communication with the HART® sensor
- sockets suitable for connection of VEGACONNECT
- separate power supply
- SIL 2 qualified



Fastening	: on carrier rail 35 x 7.5 according to EN 50022
Operating voltage	: 20...253V AC/DC
Sensor voltage	: 16.7 V at 20 mA
Output	: 24 V, load 700 (450) Ohm



Approval

EX.X ATEX II (1) G D [EEx ia] IIC

TRENN149A

Separator type KFD0-CS-Ex1.51P

Ex separator in two-wire technology for 4...20 mA sensors

For galvanic separation between intrinsically safe and non-intrinsically safe circuits

- for intrinsically safe power supply as well as for signal transmission of Ex-approved sensors in hazardous areas in conjunction with signal conditioning instruments without own Ex approval
- no additional power supply required, loop-powered
- transmission range 4...20mA

Mounting	: on carrier rail 35 x 7.5 according to EN 50022 or on carrier rail 32 according to EN 50035
Operating voltage	: with > 24V voltage field circuit > 15V
Approval	: ATEX II (1) GD [EEx ia] IIC



KFD0-CS-EX1.51P



Safety barrier type 9001

Safety barrier for intrinsically safe measuring current transmission in zone 1

Mounting : on carrier rail 35 x 7.5 according to
EN 50022 or on carrier rail 32
according to EN 50035

Approval : II (1/2)G [EEx ia/ib] IIC / IIB

Nominal data : 6V, 73 Ohm



TRENN9001.



B 63-48

Overvoltage protection in two-wire technology for the measuring cable of 0/4...20 mA circuits

For protection of the measurement technology against impermissible high voltage

- also for intrinsically safe control circuits EEx ia IIC T6
- mounting directly in Ex area for protection of field devices
- easy mounting in the free cable gland on the field device

Characteristic values : max. 12...48V DC
 Ambient temperature : -40...60°C



Thread

- G** M20 Iso thread
- N** 1/2NPT thread

↓
ÜSB63-48.

B 62-36 G

Supply and control cable protection for all instruments with 12...36V DC

For protection of the measurement technology against impermissible high overvoltages

- protection for 2-wire transmitters
- also for intrinsically safe control circuits EEx ia IIC T6
- mounting directly in Ex area for protection of the field instruments

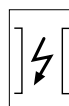
Characteristic values : 12...36V DC, max. 1 A
 Ambient temperature : -20...60°C



Housing / Protection

- X** without / IP20
- GA** mounted into alu-housing / IP65
- GK** mounted into plastic housing / IP65

↓
ÜSB62-36G.X



B 63-32

Overvoltage protection in two-wire technology for Profibus PA and Foundation Fieldbus circuits

For protection of the measurement technology against impermissible high voltage

- also for intrinsically safe control circuits EEx ia IIC T6
- mounting directly in Ex area for protection of field devices
- easy mounting in the free cable gland on the field device

Characteristic values : max. 32V DC
 Ambient temperature : -40...60°C



Thread

- G** M20 Iso thread
- N** 1/2NPT thread

↓
ÜSB63-32.

B 62-30 W

Supply and control cable protection for Profibus PA circuits

Suitable for connection to segment couplers, VEGALOG 571 EP and transmitters

- also suitable for ia circuits (overvoltage protection requires no own approval)
- fastening on carrier rail 35 x 7.5 according to EN 50022 or carrier rail 32 according to EN 50035
- interruption-free operation

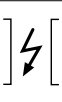
Characteristic values : 9...36 VDC, max. 1 A
 Ambient temperature : -20...60°C



Housing / Protection

- X** without / IP20
- GA** mounted into alu-housing / IP65
- GK** mounted into plastic housing / IP65

↓
ÜSB62-30W.X



B 53-19

Overvoltage arrester for the measuring cable of conductive electrodes

For protection of the measurement technology against impermissible high overvoltage

- also for intrinsically safe control circuits EEx ia IIC T6
- mounting directly in Ex area for protection of the field instruments
- interruption-free operation

Characteristic value : max. 19V AC
Ambient temperature : -20...60°C

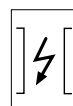


Housing / Protection

- X without / IP20
- GA mounted into alu-housing / IP65
- GK mounted into plastic housing / IP65



ÜSB53-19.X



B 61-300

Overvoltage protection of the supply and control cable with 110...300V AC/DC, max. 16 A

For protection of the measurement technology against impermissible high overvoltage



Housing / Protection

- X without / IP20
- GA mounted into alu-housing / IP65
- GK mounted into plastic housing / IP65

↓
ÜSB61-300.X

B 61-300 FI

Overvoltage protection of the supply and control cable with 110...300V AC/DC, max. 16 A

For protection of the measurement technology against impermissible high overvoltage

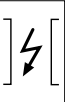
- use in a circuit with leakage current protective circuit



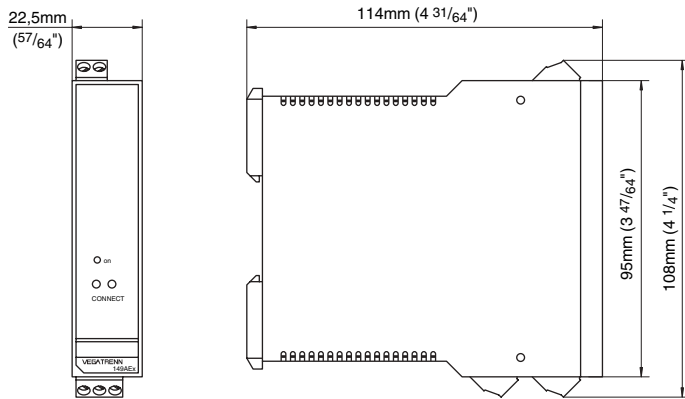
Housing / Protection

- X without / IP20
- GA mounted into alu-housing / IP65
- GK mounted into plastic housing / IP65

↓
ÜSB61-300FI.X

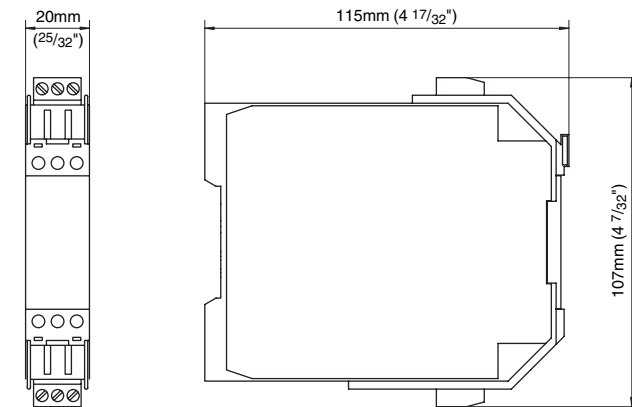
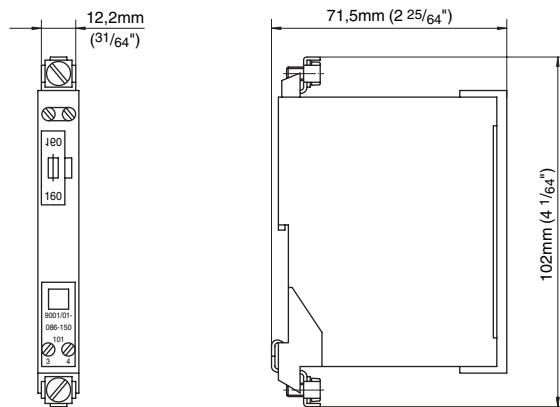


VEGATRENN 149A Ex

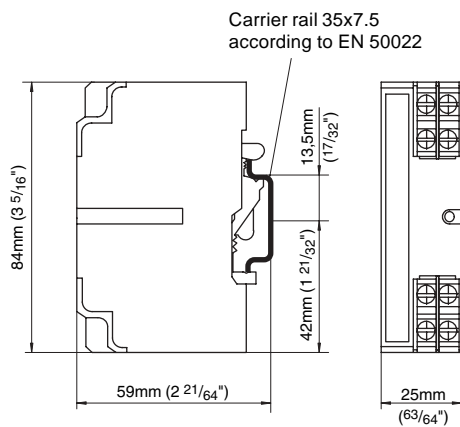
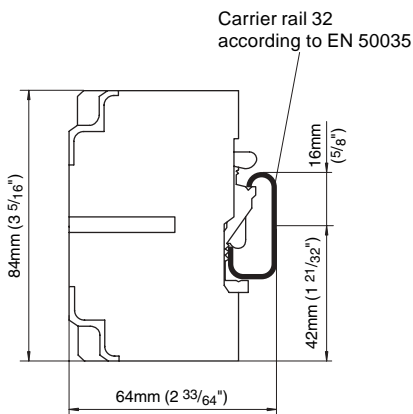


Safety barrier type 9001

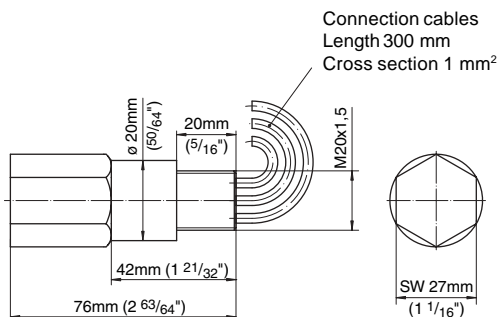
Separator KFDO-CS-Ex1.51P



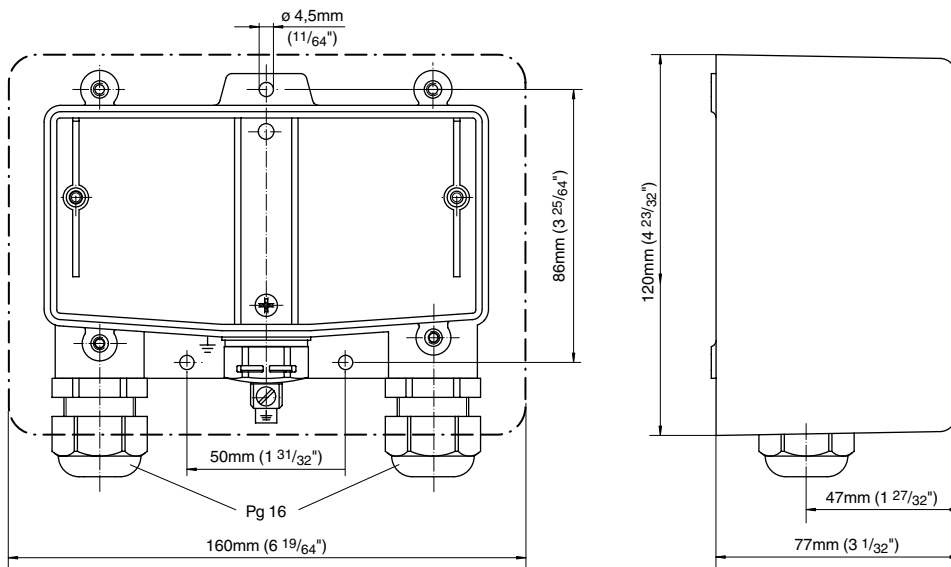
Overvoltage arrester type B53..., B61..., B62...



Overvoltage arrester type B63...

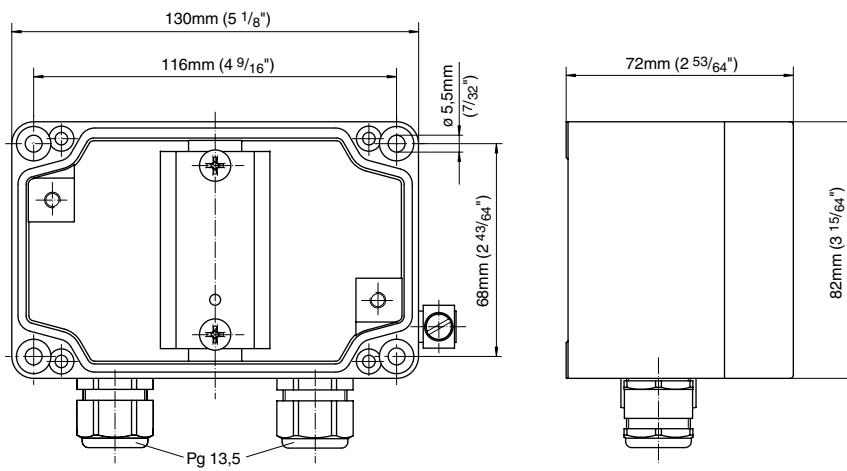


Plastic housing for overvoltage arrester



- for max. 2 overvoltage arresters, e.g. with VEGASON Ex, VEGAPULS Ex
- inclusive carrier rail and breather facility

Aluminium housing for overvoltage arrester



- for max. 2 overvoltage arresters, e.g. with VEGASON Ex, VEGAPULS Ex
- inclusive carrier rail and breather facility

